

DTC-1050

Desktop Cradle for Gladius G1050



Specifications

Color & Material Gray, Plastic
I/O Ports 3 x USB, 1 x RJ-45, 1 x DC Plug (Back Side)

Mechanical & Environmental

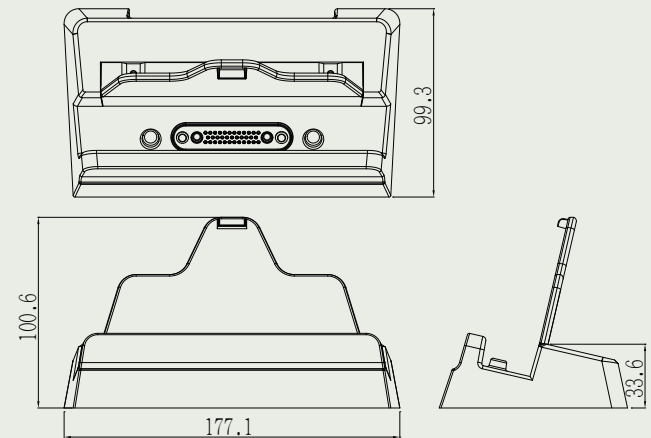
Operating Temp. -20 ~ 45°C (-4 ~ 113°F)
Charging Temp. 0 ~ 40°C (32 ~ 104°F)
Storage Temp. -20 ~ 60°C (-4 ~ 140°F)
Operating Humidity 5 to 95% (non-condensing)
Dimensions (W x D x H) 177.1 x 99.3 x 100.6 mm (6.97" x 3.91" x 3.96")
Weight (Net) 0.43 kg (0.95 lb)
Vibration 1 Grms/ 5 ~ 500Hz/ Random operation
Shock 10G peak acceleration (11 ms duration)

Power

Requirement 20V, DC In

Ordering Information

DTC-1050 Desktop Cradle for Gladius G1050



All specifications are subject to change without notice.

Computer on Module
 Compact Board
 Slot Board
 Industrial Motherboard
 Wide Temperature
 SBC Daughterboard /Power Converter /Mounting Kit
 Rugged Tablet PC
 Medical PC
 Industrial Panel PC/Monitor
 Wide Temperature Box PC
 BOX PC
 Network Appliance
 Industrial Chassis /Backplane /Power supply