

# Regulators

## Model 91F60 Combination Filter-Regulator

### Introduction

#### Features & Benefits

- ▶ Small unit delivers performance equal to that of larger instrument
- ▶ Easy accessibility to the filter cartridge and regulator pilot minimize maintenance time

#### Description

The Model 91F60 Combination Filter-Regulator removes dirt, oil, water, and other impurities from an instrument-air supply.

Air enters the combination filter-regulator through an inlet connected to a cylindrical throw-away filter cartridge. After the air is filtered as it passes through the cartridge, it flows up past a pilot plunger in the regulator section to the outlet connection.

The regulated output pressure is controlled by a spring-loaded diaphragm, which opens the pilot plunger to maintain a balance between the air pressure and the spring force.

Quick inspection and service are accomplished via removal of one screw at the bottom of the housing, making the disposable filter cartridge and the regulator pilot accessible.

#### Specifications

Performance Specifications

##### Droop effect

Less than 2.2 psi at 3 scfm flow (15 kPa at 85 dm<sup>3</sup>/m)<sup>1</sup>

##### Filter Rating

5 microns

Functional Specifications

##### Regulator Range

1-60 psig (7-410 kPa)

##### Maximum Supply Pressure

250 psig

Mechanical Specifications

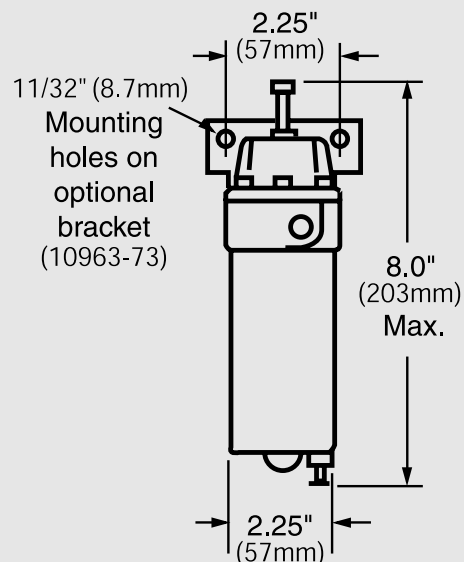
##### Materials of Construction

Brass, zinc, phenolic resin, Neoprene, aluminum, stainless steel, and cadmium-plated steel.

All connections 1/4 NPT



#### Mounting Dimensions



1) With 100 psig (690 kPa) supply and a regulator setting of 20 psig.