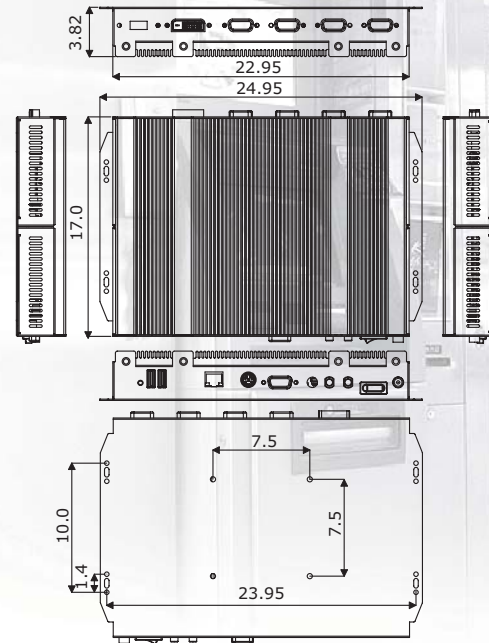


BBS-2020

Fanless, Box PC with Intel® Atom™ N270 processor 1.6GHz, 12V DC Adapter



Features

- Fanless, box PC design
- BBS-2020 built-in SBC+Intel® Atom™ N270 processor 1.6GHz, 12V DC adapter
- BBS-2020-I provides GB LAN x 1, 4 x COM, 3 x USB2.0, option for wireless LAN module, DVI-D display
- BBS-2020-J provides GB LAN x 2, CF, 1 x mini PCI, 4 x COM, 3 x USB2.0, option for wireless LAN module
- 1 x 2.5" HDD space

System

SBC Model

HS-2621 or HS-2627

CPU

Intel® Atom™ N270 processor 1.6GHz

BIOS

Award PnP Flash BIOS

System Chipset

Intel® 945GSE/ICH7-M

System Memory

1 x 200-pin SO-DIMM socket up to 2GB DDR2 SDRAM

Display Chipset

CRT: Intel® 945GSE integrated Intel® GMA950

DVI: Chronitel 7307 (option for BBS-2020-I)

Audio Chipset

RealTek ALC202A

Ethernet Chipset

RealTek RTL8111C 10/100/1000 Mbps LAN (BBS-2020-J

provides Dual LAN)

Provides Wireless LAN module (option)

Drive Bay

1 x 2.5" HDD space

Storage

1 x Type II CF socket (only BBS-2020-J)

Watchdog Timer

Software programmable time-out intervals from 1~255 sec. or 1~255 min.

Expansion Interface

1 x Type III mini PCI socket (only BBS-2020-J)

Mechanical

Dimensions (LxHxW)

24.95 x 3.82 x 17.0 cm

Operation/Storage Temperature

0~+45 degrees C/-20~+70 degrees C

EMC

FCC/CE

Power Adapter

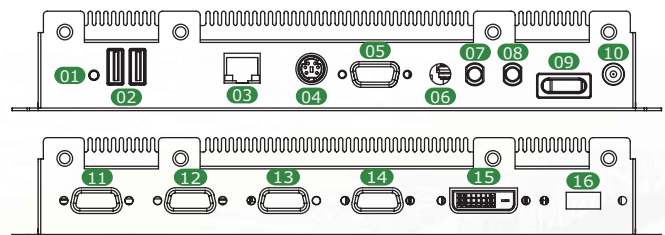
12V DC in 60W adapter

I/O Interface

External I/O

3 x USB2.0, LAN (BBS-2020-J provides Dual LAN, PS/2 KB/MS, VGA, MIC In, Line Out, 4 x COM, DVI-D (option)

Rear I/O



- | | | |
|------------------|-----------------------|--------------------|
| 01. Reset Button | 07. MIC In | 13. COM 3 |
| 02. USB2.0 * 2 | 08. Line Out | 14. COM 4 |
| 03. LAN | 09. Main Power ON/OFF | 15. DVI-D (option) |
| 04. KB/MS | 10. DC Adapter In | 16. USB2.0 |
| 05. VGA | 11. COM 1 | |
| 06. WLAN ANT | 12. COM 2 | |

Ordering Guide

BBS-2020-I001

Fanless, Box PC with HS-2621(w/1.6GHz CPU), 12V DC Adapter

BBS-2020-I001/DVI-D

Fanless, Box PC with HS-2621(w/1.6GHz CPU), 12V DC Adapter

BBS-2020-J

Fanless, Box PC with HS-2627(w/1.6GHz CPU), 12V DC Adapter

Accessory Options

Memory Module, Wireless LAN Module, 2.5" HDD