

# FPM-2150G

## 15" XGA Industrial Monitor with Resistive Touchscreen and Direct-VGA Port



### Features

- 15" XGA TFT LCD with resolution up to 1024 x 768
- Robust design with aluminum front panel
- Anti-reflective screen with tempered glass
- Supports stainless steel front panel (customization)
- OSD control pad on front panel
- Supports industrial 24-48 V<sub>DC</sub> power input (optional)
- Supports transreflective LCD technology (customization)
- Supports Panel, Wall, Desktop, Rack or VESA arm mounting
- Front Panel NEMA4/IP65 Compliant

### Introduction

FPM-2150G is an industrial-grade 15" TFT LCD flat panel monitor with an Al-Mg front panel, a modern appearance, and one of the most competitive prices for 15" LCD monitors on the market. The FPM-2150G is also extremely light and thin, and provides many industrial-grade features such as a NEMA4/IP65 certified front panel, stainless steel chassis, VESA mounting flexibility, and more. The FPM-2150G is especially suitable for industrial PCs such as IPC-610 or IPC-6806. This combination leads to an extremely reliable and tough system, ready to operate in a wide variety of industrial applications.

### Specifications

#### General

- **Button Controls** OSD (Onscreen Display) control pad on front panel
- **Certification** BSMI, CCC, CE, FCC, UL
- **Dimension (W x H x D)** 383 x 307 x 48 mm (15" x 12" x 1.9")
- **Enclosure** Front panel: Aluminum with coating, Rear cover: SECC coating chassis
- **Mounting** Panel, wall, desktop, VESA arm, or 19" rackmount with optional mounting kit
- **Power Input** External 50 W power adapter, with AC 100 V ~ 240 V input and DC +12 V @ 4.16 A output
- **Video Port** VGA
- **Weight (Net)** 5.60 kg (12.34 lbs)

#### LCD Display

- **Display Type** XGA TFT LCD
- **Display Size** 15"
- **Max. Resolution** 1024 x 768
- **Max. Color** 16.2M
- **Viewing Angle (H/V)°** 140, 125
- **Luminance (cd/m<sup>2</sup>)** 250
- **Backlight Life (hrs)** 50,000
- **Contrast Ratio** 500 : 1

#### Touchscreen (Optional)

- **Sensor** AMT
- **Type** 8-wire Resistive
- **Interface** RS-232 or USB
- **Lifespan** 10 million with a silicone rubber of R8 finger, writing rate is by 250g at 2 times/s
- **Light Transmission** > 80%
- **OS Support** Windows® 95/98/ME/2000/XP/CE/NT/Vista, Linux
- **Power Consumption** +5 V @ 100 mA
- **Touch Resolution** Linearity

#### Environment

- **Operation Temperature** 0 ~ 50° C (32 ~ 122° F)
- **Storage Temperature** -20 ~ 60° C (-4 ~ 140° F)
- **Humidity (Storage)** 10 ~ 95% non-condensing
- **Waterproof** Front Panel NEMA4/IP65 Compliant
- **Vibration** 5 ~ 500 Hz, 1 Grms (Operating, Random)

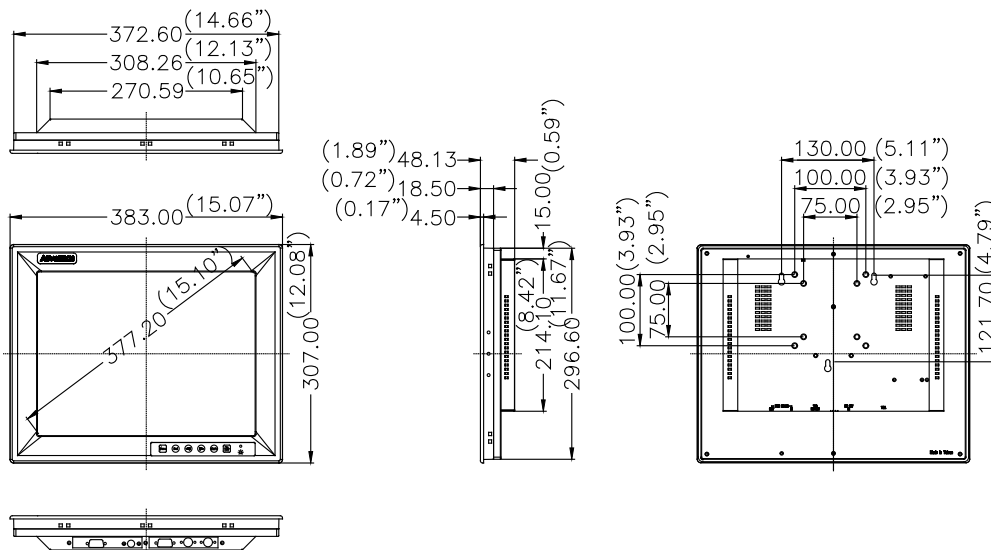
### Ordering Information

- **FPM-2150G-XCE** 15" Industrial Monitor with Direct-VGA port
- **FPM-2150G-RCE** FPM-2150G-XCE with Resistive Touchscreen (RS-232 interface)
- **FPM-2150G-UCE** FPM-2150G-XCE with Resistive Touchscreen (USB interface)
- **PWR-246E** Ind. DC to DC Converter w/24-48 V<sub>DC</sub> Power Input

## Dimensions

Unit: mm

FPM-2150G



Cut out dimension 374.6 x 298.6 mm (14.74" x 11.75")

## Accessories

- **FPM-2150G-RMKE** Mounting kit for 19" industrial rack
- **FPM-2150G-SMKE** Mounting kit for desktop & wall
- **PWR-246E** Ind. DC to DC converter with 24 ~ 48 Vdc power input
- **1702002600** Power Cable US Plug 1.8 M
- **1702002605** Power Cable EU Plug 1.8 M
- **1702031801** Power Cable UK Plug 1.8 M
- **1702031836** Power Cable China/Australia Plug 1.8 M

## Mounting with DC Source



## I/O View

