

POS



PS-8850 Socket 370 12.1" POS Terminal

Features and Benefits:

- Optional second 12.1" LCD panel or pole display
- Removable slim HDD tray (1 or 2)
- Tilting angle from 0° to 51°
- Optional magnetic card reader module (triple track)
- 1 Compact Flash slot
- 1 PCMCIA slot (optional)
- One CD-ROM/DVD/Combo
- I/O ports highlights:
 - 4 serials, +5V & +12V selectable
 - 1 parallel,
 - 4 USBs (2.0),
 - 1 10/100 Base-TX LAN
- Two speakers
- Industry level of durability
- Spill proof water-resistant design



No. 24, Lane 365, Yang Guang St., Nei Hu District, Taipei 114, Taiwan, R.O.C.

Tel: +886-2-8751-1111

Fax: +886-2-8751-1199

Email: sales@protech.com.tw

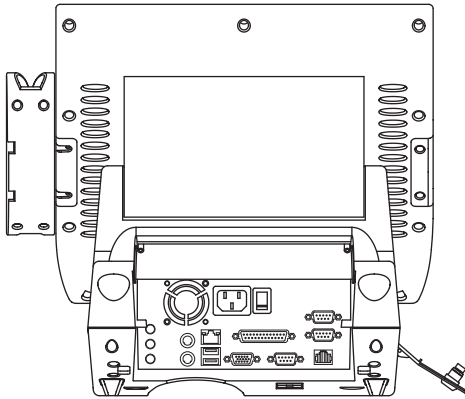
<http://www.protech.com.tw>

ISO CERTIFIED
9001 14001

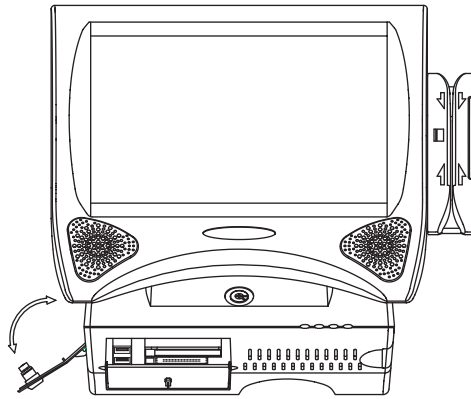
PS-8850

Socket 370 12.1" POS Terminal

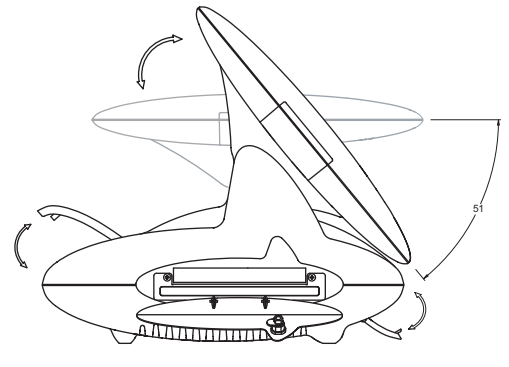
Rear View



Front View



Side View



Mainboard Specifications

Mainboard	Prox-3660 series
Form Factor	Customized
CPU Type	Intel® P-III/Tualatin/Celeron™
CPU Frequency	Up to 1.26 GHz
Chipset	VIA CLE266
BIOS	Phoenix-Award PnP, Firmware Hub, VGA BIOS, 4MB
DRAM	1 x 184-pin DDR DIMM up to 1GB
Cache	Depends on CPU type
Standard VGA	Built-in CLE266 max. 64MB shared memory
Optional 2nd VGA	ATI M6/D (16MB) on daughter board
LAN	PHY VT 6103, 10/100 Base Tx Ethernet 1 x RJ-45 Jack, support Wake-on-LAN
Sound	VIA VT1612A, AC '97 Codec with Line in/out, MIC
Storage	1 x Compact Flash slot, 1 x PCMCIA slot (optional)
IDE Interface	2 x slim 44-pin EIDE (UDMA-33)
Serial Port	4 x 16550 UART, COM2 for RS232/422/485
Parallel Port	1 x parallel (SPP/EPP/ECP)
USB	4 x USB 2.0
Hardware Monitor	Monitoring voltage, CPU temp. & cooling fan speed

Features

Touch Screen	7-wire Resistive
LCD Display	12.1" XGA panel, optional for dual display
Card Reader	Triple track side module (optional)

Optional Accessories:



Programmable Keyboard



Pole Display



Bar Code Scanner



Dual Display

Front I/O Ports

PCMCIA	Single deck (optional)
USB 2.0	2
Compact Flash	1 slot

Rear I/O Ports

USB 2.0	2
Mini DIN KB & PS2	1 & 1
Line-in/ out/ MIC	1 / 1 / 1
Parallel Port (DB25)	1
COM Port (DB9)	COM1 / COM2 / COM3
COM Port (RJ45)	COM4
LAN Port (RJ45)	1

Devices

HDD	1 x slim HDD or 2 x slim HDD
CD-ROM	1 x slim
Power Supply	ATX 150W

Mechanical and Environment

Operation Temperature	0°C ~ 40°C, 32 F ~ 104 F
Storage Temperature	-20°C ~ 60°C, -4 F ~ 140 F
Humidity	10~85%
System Weight (Net)	Single : 9.5kg (20.9lb) Dual : 12kg (26.4lb)
Dimension (Solo Display)	315 x 351 x 325mm, 12.4" x 13.82" x 12.8"
System Application	Supports Windows 98se, 2000, XP
Certificate:	CE, FCC CLASS A, LVD

All of trademarks and brand names are the property of their owners. Trademark "Protech" is the property of Protech Systems Co., Ltd. All information contained in this document is subject to change without any prior notice. This catalog is copyrighted in Dec. 2003.