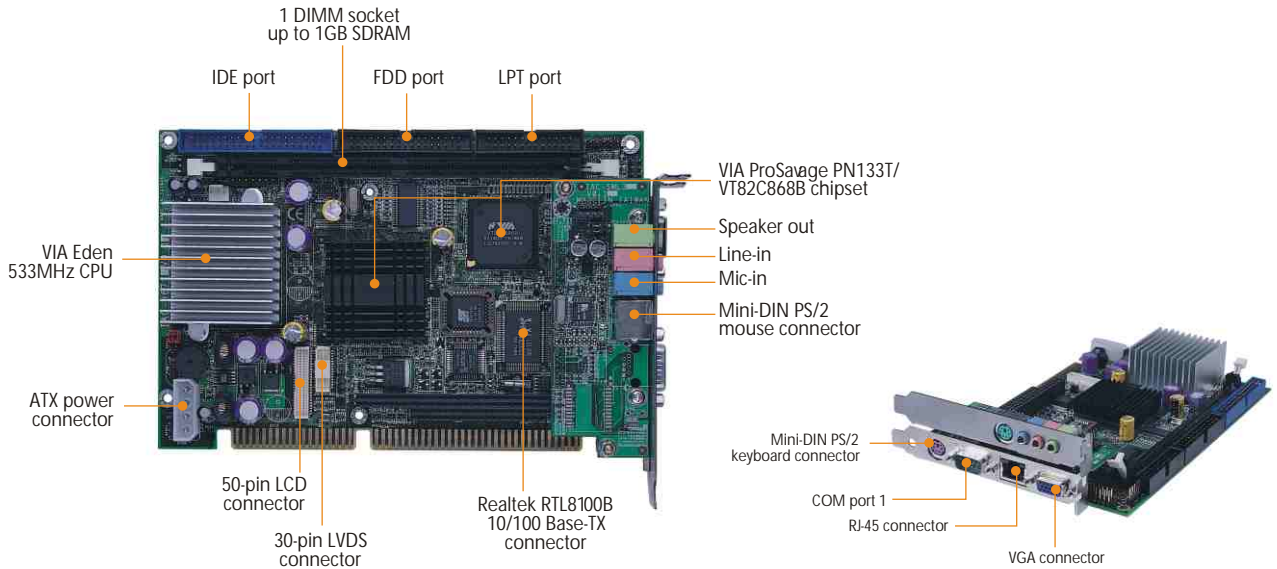


IAC-H671A

Half-size VIA Eden SBC with VGA/LAN/LCD/Sound & low power CPU

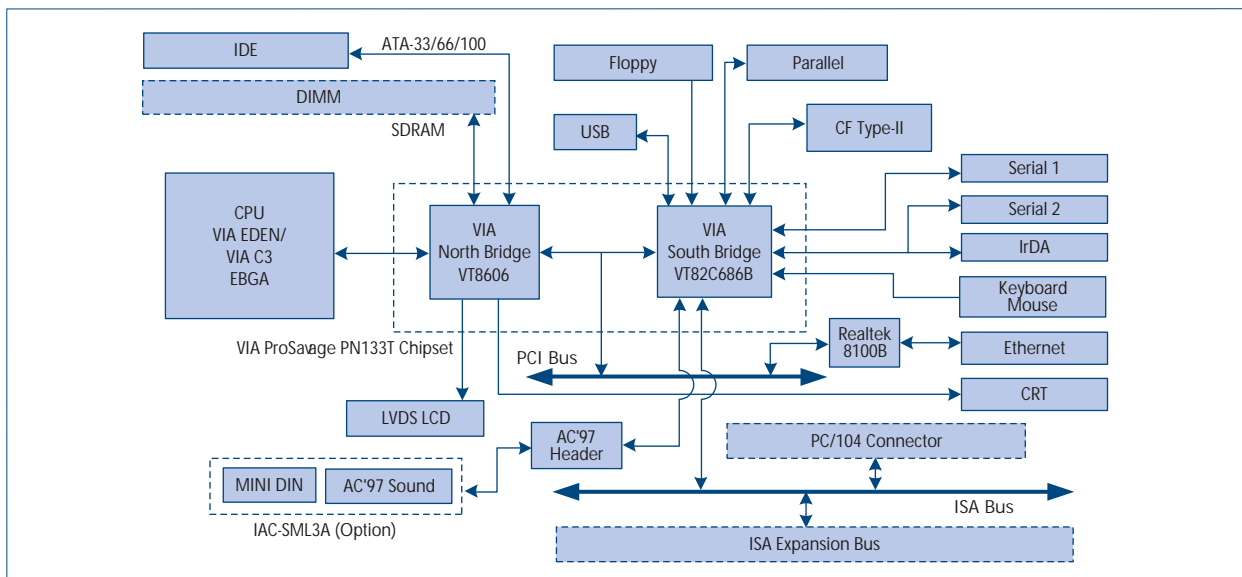


FEATURES

On-board VIA Eden™ low power CPU
 VIA ProSavage PN133T, VT82C868B
 One DIMM socket, support up to 1GB SDRAM
 Integrated S3 graphics prosavage 4X AGP VGA, shared
 System memory 8/16/32MB

On-board Realtek 8100B 10/100 Base-TX Ethernet
 Controller
 One CompactFlash socket, support ATA mode Type II
 PC/104 & ISA expansion bus

DIAGRAM



IAC-H671A

Half-size VIA Eden SBC with VGA/LAN/LCD/Sound & low power CPU

SBC


SPECIFICATION

CPU	VIA Eden™ 533MHz processor
Chipset	VIA ProSavage PN133T(Twister-T), VT82C686B
BIOS	AMI® licensed BIOS
System Memory	1 x 168-pin DIMM socket, support up to 1GB SDRAM
VGA Controller	Integrated S3 Graphics prosavage4™ AGP 4X graphics, support for 36bit TFT/DSTN, Dual Channel LVDS, and CRT, shared system memory up to 8/16/32 MB
Ethernet	Realtek RTL8100B 10/100 Base-TX
Audio/Sound	AC'97 2.0; Reserved 8x2 2.0mm pin header for SML3A module
Flash Memory Disk	CompactFlash Type-II socket
IDE Interface	1 IDE port, support up to two devices and Ultra ATA 33/66/100
Floppy Drive Interface	1 FDD port, support up to 2 devices
Serial Port	2 COM ports, 1 x RS-232 and 1 x RS-232/422/485
Parallel Port	1 multi-mode parallel port (SPP/EPP/ECP)
Bus Interface	PC-104 & ISA expansion bus
Universal Serial Bus	1 pin header for 2 USB ports (USB 1.1 compliant)
IR Interface	Support 1 IrDA header
Digital I/O	4-bit digital input/ 4-bit digital output
Keyboard Connector	5-pin keyboard header
Keyboard / Mouse Connector	6 pin Mini-DIN PS/2 keyboard/mouse connector
Power Connector	4P power connector, Single power +5V only
RTC	Internal RTC with Li battery
Watchdog Timer	16-level time-out intervals by software program
Power Consumption	+5V@3.7A(512MB SDRAM)
Hardware Monitor	Enhanced hardware monitoring function
Operating Temperature	0°C ~ 60°C □
Storage Temperature	-20°C ~ 70°C □
Humidity	5% ~ 95% RH, non-condensing
Dimensions	185 x 122 mm (7 1/4" x 4 5/6")
Net Weight	250g (0.55 pounds)

ORDERING INFORMATION

IAC-H671A	VGA/LCD/LAN/Low power VIA Eden™ 533MHz CPU
IAC-H671B	VGA/LCD/LAN/VIA C3 800MHz CPU (with DC 5V FAN cooling FAN)

OPTIONAL

	Item	Part Number
	SML3A module for IAC-H671	S01SML3A00210