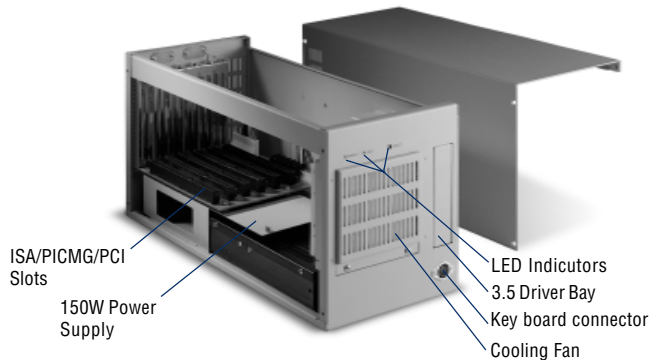


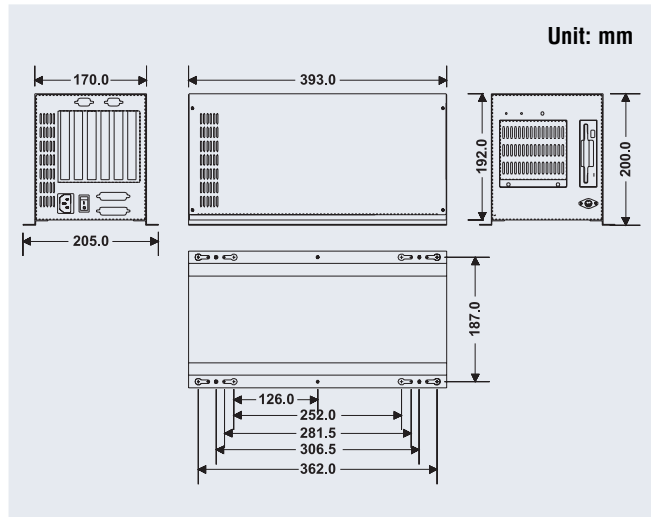
IEC-741A

Full-Size 6-Slot Wallmount Chassis



- **Construction:** Heavy-duty steel chassis
- **Color:** Beige
- **Disk Drive Bay:** 3.5" Drives: 2 (One for FDD)
- One 8cm/49CFM cooling fan with replaceable air filter
- **Controls on Front Panel:** System Reset
- **Indicator on Front Panel:** LED Indicators for Power On/Off and HDD activity
- **Keyboard connector:** Pre-wired 5-pin DIN connector on front panel
- **EMI:** FCC/ VDE Class A, CE
- **Equipped with 150W Power Supply**
- **Operating Humidity:** 0~45°C (0~75°C non-operating)
- **Relative Humidity:** 10 to 95%, @25°C, non-condensing
- **Dimension (W x H x D):**
170 x 192 x 393 mm (6.7" x 7.6" x 15.5")
- **Net Weight:** 5.6 kg (12.3 lb)
- **Gross Weight:** 12.3 kg (27.1 lb)

Dimension Diagram



Backplanes

Model Name	System	Amount of Slots
PBI-6SA	Single	6-slot ISA
PBPI-5S	Single	2 ISA / 1 PICMG/ 2 PCI

Power Supplies

Model Name	Watt	Input Range	Maxi-load	Mini-load
MPB-6150P	150(ATX)	90-264 VAC@ 47-63 Hz	+5 V@14A +12 V@6A -5V@0.5A -12V@0.7A +3.3 V@10A +5 Vsb@1.5A	+5 V@2A +12 V@1A -5 V@0.1A -12 V@0.1mA +3.3 V@1A +5 V@0.1A

Ordering Information

IEC-741A-S6A-FR150

Full-size 6-slot Wallmount Chassis with 6 ISA Passive Backplane, 150W Power Supply

IEC-741A-C5A-FR150

Full-size 6-slot Wallmount Chassis with 2 ISA/1 PICMG/2 PCI Passive Backplane, 150W Power Supply