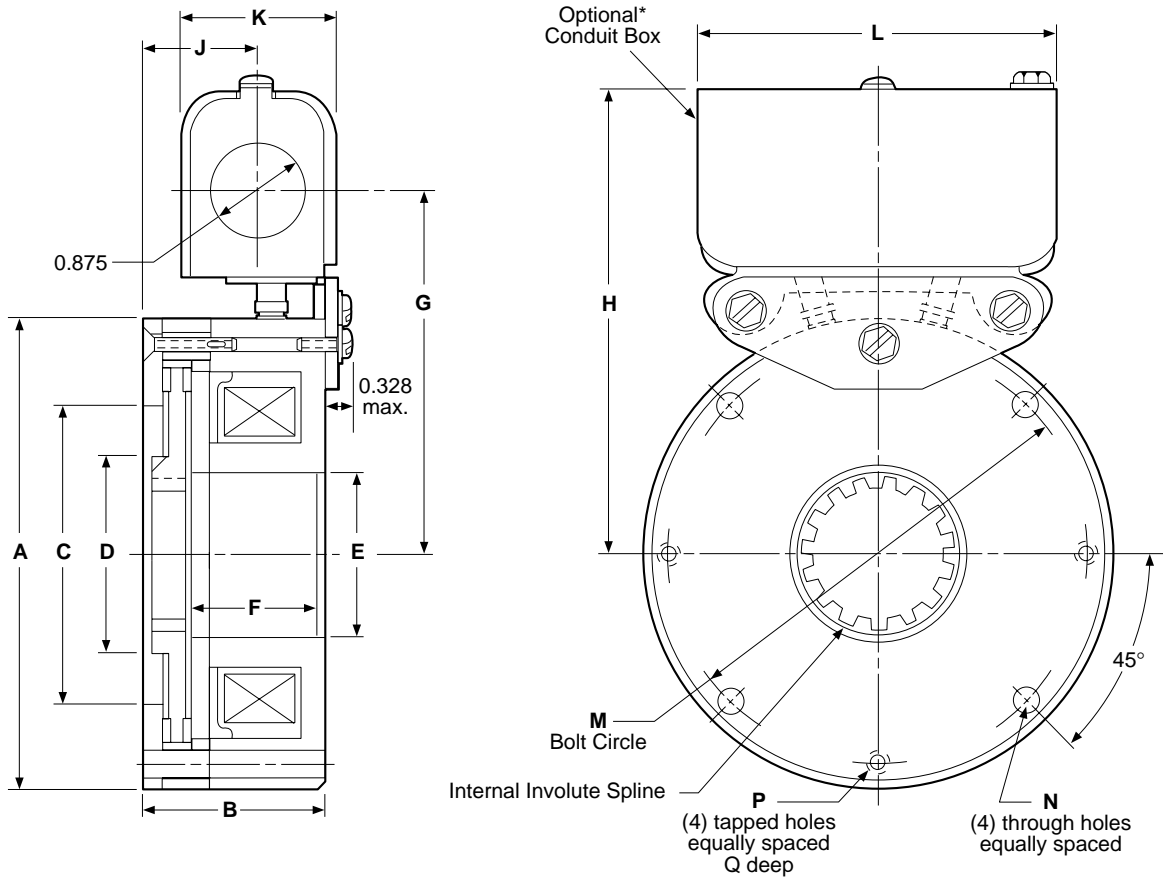


# Electrically Released Brakes

# ERS Series

ERS-26, ERS-42, ERS-49, ERS-57, ERS-68



\*Available only for the ERS-49, 57, and 68 sizes

All dimensions are nominal, unless otherwise noted.

Model	A Max.	B Max.	C	D	E	F	G
ERS-26	2.460	1.515	1.375	1.125	.860	1.250	—
ERS-42	3.520	1.595	2.000	1.600	1.375	1.255	—
ERS-49	4.270	1.767	2.600	1.750	1.500	1.332	3.625
ERS-57	5.020	1.937	3.240	2.100	1.750	1.503	4.000
ERS-68	6.520	2.030	4.504	2.800	2.425	1.565	4.750

Model	H	J	K	L	M Dia.	N Dia.	P	Q
ERS-26	—	—	—	—	2.125	.172/.164	4-40	.375
ERS-42	—	—	—	—	3.125	.200/.190	6-32	.400
ERS-49	4.625	1.000	1.625	3.750	3.750	.228/.218	8-32	.400
ERS-57	5.000	1.170	1.625	3.750	4.500	.288/.278	10-24	.400
ERS-68	5.750	1.265	1.625	3.750	5.875	.413/.404	1/4-20	.500

## Specifications

Model	Voltage DC	Static Torque (lb.ft.)	Inertia (lb.in. <sup>2</sup> )		Weight (lbs.)	
			Unit	Hub	Unit	Hub
ERS-26	24V 90V	1.5	0.03	0.004	1.20	0.06
ERS-42	24V 90V	7	0.14	0.040	2.50	0.20
ERS-49	24V 90V	15	0.45	0.060	4.30	0.25
ERS-57	24V 90V	34	0.54	0.110	6.50	0.38
ERS-68	24V 90V	100	1.44	0.550	11.30	0.75