

# SPECIFICATIONS

RoHS Compliant



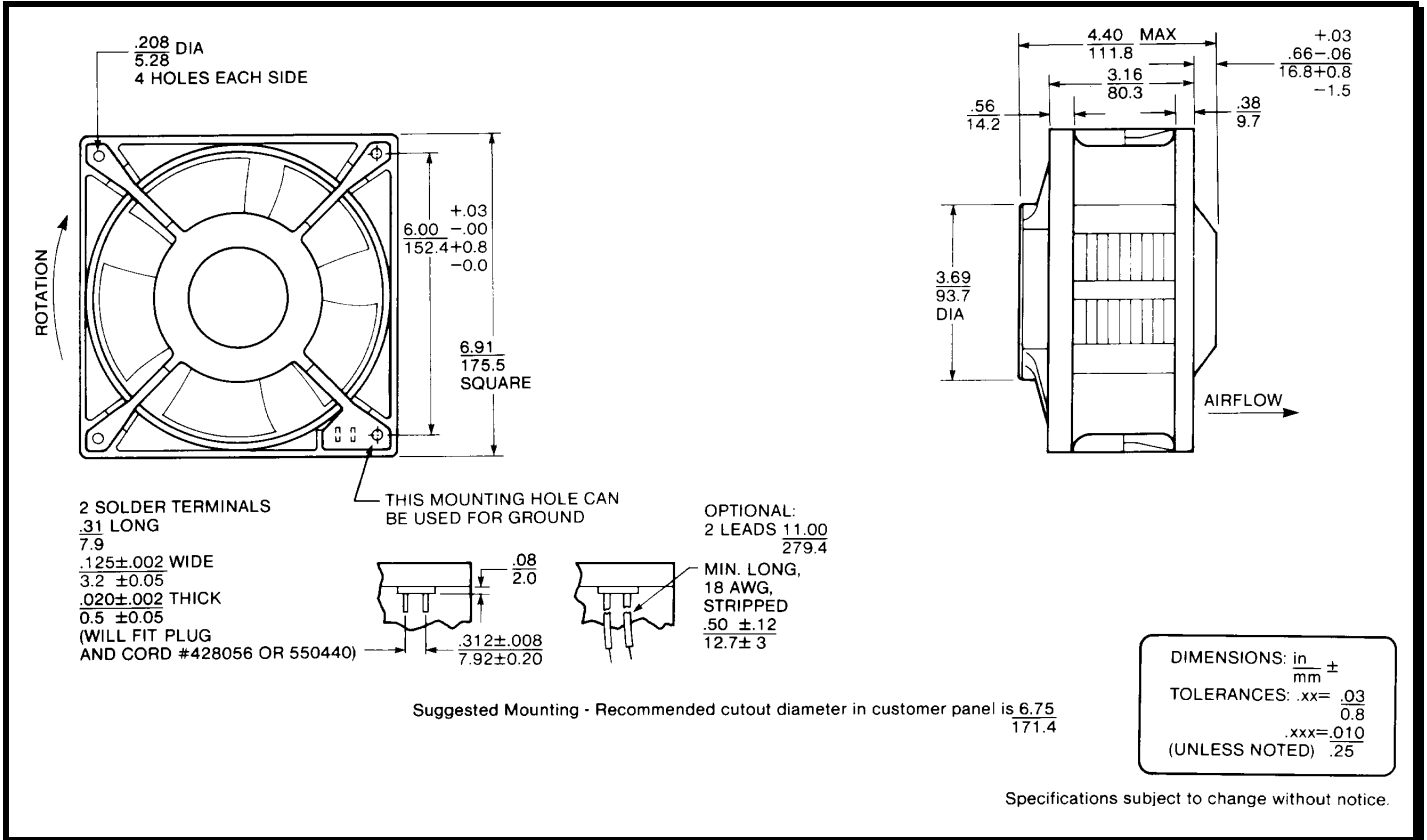
**Model Number:** TNE2C

**Part Number:** 020169

**SPEC Number:** 26013657A

Nov.11.2011

## Mechanical Drawing:



### Specifications:

Frequency	= 50 / 60 Hz
Nominal Voltage	= 115 VAC
Nominal Running Current	= 0.530 amps
Max. Locked Rotor Current	= 1.350 amps
Running Power	= 56 watts
Average Speed	= 3480 RPM
Bearings	= Ball
Air Flow	= 280 / 340 CFM
Acoustic	= 61.6 / 65.4 dBA

### Construction:

Venturi: Plastic, Black, UL 94V-0  
 Propeller & Cover: Plastic, Black, UL 94V-0

### Life Expectancy:

This fan is designed for continuous duty life of 25,000 hours at 40°C.

### Motor:

Permanent Split Capacitor Motor  
 Automatic Reset Thermal Protector  
 Locked Rotor Protection  
 Operating Temperature: -10 °C to 70 °C  
 Storage Temperature: -40 °C to 85 °C

### Termination:

12" Lead wires, 18 AWG, UL 1015

### Agency Approvals:

UL, CE