

## I-VC5

Designed for In-Vehicle Solution



### Features

- Fanless design
- Supports 7x serial ports (5x RS232, 2x RS-232/422/485)
- Supports 4x USB 2.0 ports
- Onboard Gigabit LAN
- Removable 2.5" HDD tray
- Support VGA and LVDS dual independent display
- 2x Mini PCI-E slot for G sensor, Wi-Fi, 3G and GPRS optional module

### Specifications

Video System	
Video Standard	Composite for NTSC/PAL
Video Input	4 Channel
Capture Resolution	D1 (NTSC: 720x480; PAL: 720x576)
Max. Recording Rate	30/25 fps (NTSC/PAL) for each channel
Display Rate	30/25 fps (NTSC/PAL) for each channel
Video Compression	H.264
Live Display	4 Channel D1, 4 Channel CIF
Resolution for each channel	Max. 640x480 (adjustable)
Process & System	
CPU	Intel® N450 1.66GHz
Chipset	Intel® ICH8M
L2 Cache	512KB
BIOS	AMI BIOS, supports ACPI function
Graphic Controller	
Chipset:	Intel® ICH8M Integrated Graphics Controller Luna Pier supports DirectX 9 graphics (200MHz) OpenGL 1.4
Display Interface	VGA & 18-bit LVDS
Memory	Single channel DDR2 667 Max. capacity: 1GB Socket: 1x 200-pin SO-DIMM (w/o ECC)
Ethernet	Interface: Gigabit LAN controller Controller: Realtek RTL8111DL Connector: 1x RJ45
Audio	Intel® ICH8M built-in audio controller w/ Realtek ALC662 codec, supports 5.1 CH audio (Line-out, Line-in & microphone)

Storage	1 x 2.5" Removable HDD tray 1x 2.5" HDD drive bay 1x CF socket
Power Supply	Input Voltage: DC 6~36V Minimum Input Voltage: 6 VDC Main Switch & Fuse Protection Power Ignition On/Off control
Expansion Slot	1x PCI-104 slot, 2x Mini PCI-E slot, 1x CF Socket with lock
Mechanical	Construction: aluminum & SGCC Color: black Dimension: 207.8mm (W) x 70mm (D) x 229.8 mm (H)
Communication Device	WLAN: 802.11 b/g WLAN miniPCIe module (optional) GSM/GPRS/AGPS/HSDPA: Cinterion HC25 (optional)
Others	Digital I/O: 4-In/4-Out Camera x 2 for 4 CH video recording G Sensor Module: IBD35E (optional) UPS (Battery Charger Module_ID465) SIM slot



Remarks: 1. ODM/OEM is available  
2. Specifications are subject to change without prior notice.

- 1 Motherboards
- 2 Disk-Size SBcs
- 3 CPU Modules
- 4 PC/104 Plus
- 5 CPU Card
- 6 Embedded Systems
- 7 Network Security Appliance

Intel® Atom™ N450 1.66GHz In-Vehicle Computing System

# I-VC5

## Environmental

Operating Temperature	0°C ~ 60°C (32°F ~ 140°F)
Storage Temperature	-40° ~ 80°C
Relative Humidity	90% @ 40°C, (non-condensing)
Vibration & Shock	Vibration: 2.24G @ 5~500 Hz random w/ CF &SSD 1.04G @ 5~500Hz random w/ Automotive HDD Shock: MIL-STD-810G

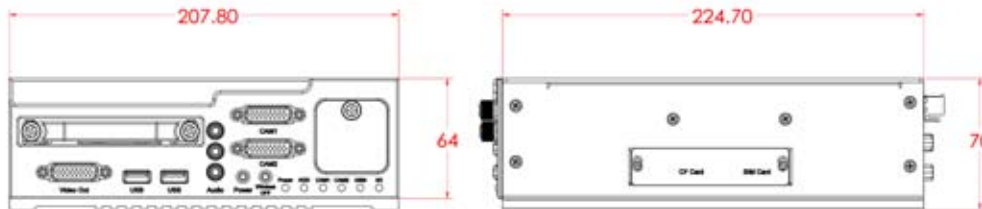
## Optional Items

WLAN	802.11 b/g Module w/ Antenna
3G Module	Cinterion HC25 w/ Antenna

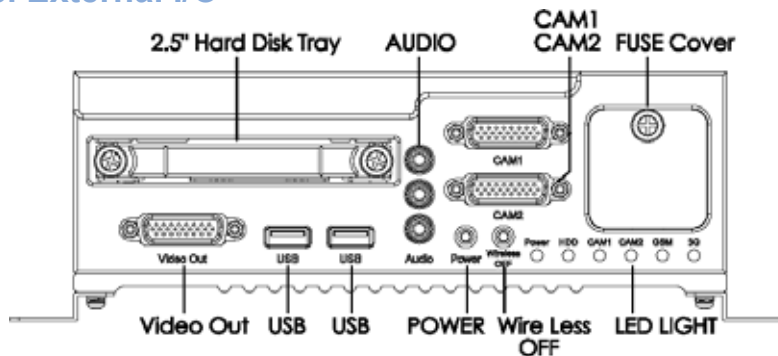
## Ordering Information

I-VC5	In-Vehicle Embedded System with IB808- W/ Intel® Atom™ N450 (1.66GHz) CPU, ID465- Power board supporting +6~+36VDC, Dual Display (VGA & Video out-18bits LVDS+USB), 1GB DDR2 SO-DIMM, internal 2.5" 40GB Industrial HDD, 2.5", Removable HDD Tray w/ 40GB Industrial HDD, 4G CF Card, 4 CH Camera Output, 3G module (HC-25) w/ Antenna, Wi-Fi Module (QCOM 802.11B/G/N) w/ Antenna, GPS Module w/ Antenna, UPS Interface (for 2nd. Battery Support -w/o Battery & its box). (RoHS)
I-VC5M	In-Vehicle Embedded System with IB808-W/ Intel® Atom™ N450 (1.66GHz) CPU, ID465- Power board supporting +6~+36VDC, Dual Display (VGA & Video out-18bits LVDS+USB) , 2.5" Removable HDD Tray, UPS Interface (for 2nd. Battery Support -w/o Battery & its box). (RoHS)

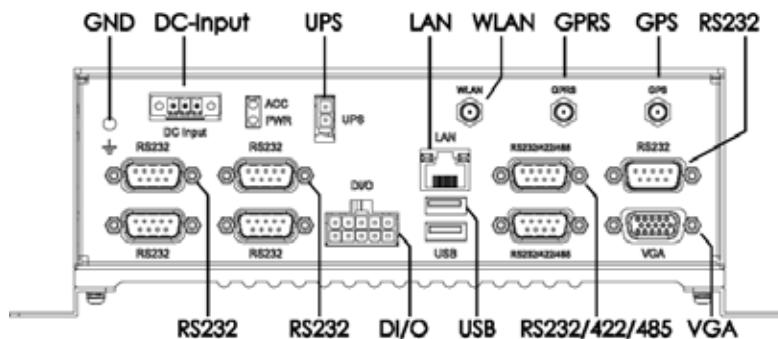
## Dimensions



## Front Panel External I/O



## Rear Panel External I/O



Remarks: 1. ODM/OEM is available  
2. Specifications are subject to change without prior notice.

- 1 Motherboards
- 2 Disk-Size SBCs
- 3 CPU Modules
- 4 PC/104 Plus
- 5 CPU Card
- 6 Embedded Systems
- 7 Network Security Appliance