

EC210 SERIES

Embedded System



Features

- Fanless, compact design for industrial applications
- Intel® Atom™ D525 and ICH8M
- Supports DDR3 SODIMM; up to 4GB
- 1 2.5" SATA drive bay, 1 CF socket
- - LR6880: 1 VGA, 2 LAN, 8 USB, 6 COM, 8-bit GPIO
- LR6G60: 1 VGA, 2 LAN, 6 USB, 6 COM, 16-bit GPIO
- LRA060: 1 VGA, 2 LAN, 6 USB, 10 COM
- 1 PCI expansion

System Specifications

Processor System

- CPU: Intel® Atom™ D525
 - dual-core, 1.8GHz, 1M cache
- Chipset: Intel® ICH8M

Memory

- 2 DDR3 800MHz SODIMM sockets
- Supports up to 4GB memory
- Single channel memory interface

Graphics

- Intel® GMA 3150
- Display resolution up to 2048x1536 @ 60Hz
- Display output: 1 VGA

Storage

- HDD
 - 1 2.5" SATA drive bay
- SSD
 - 1 CompactFlash socket
 - Supports 1 mSATA module via the mini PCIe socket

Ethernet

- 2 Realtek® RTL8111DL Gigabit Ethernet controllers

Audio

- Realtek ALC262 High Definition Audio
- 2 watt, 4Ω power amplifier

I/O Ports

- Front Panel
 - 1 HDD LED and 1 Alert LED
 - 1 Power switch and 1 Reset switch
 - 4 USB ports
- Rear Panel
 - 1 Power LED, 1 HDD LED and 1 Alert LED
 - 1 Reset switch
 - Power jack: 3-pole Phoenix terminal block
 - Speaker-out: 3.5mm audio jack
 - DB-15 VGA: 15-pin D-sub
 - LAN with LEDs
 - COM RS232/422/485: 9-pin D-sub or terminal block
 - USB 2.0
 - GPIO: 9-pole terminal block

Expansion

- 1 PCI slot
- 1 mini PCIe x1 slot

Power

- Power type
 - Power adapter
 - : AC input: 100-240V, 1.8A, 50-60Hz
 - : DC output: 19V, 3.15A
- Power input voltage
 - +19-24V DC

Environment

- Temperature
 - Operating: 0°C ~ 50°C
 - Storage: -20°C ~ 70°C
- Relative Humidity
 - 10% to 90% non-condensing

Construction

- Aluminum + SECC

Mounting

- Wall/VESA mounting kit (brackets and screws) - optional

Dimensions

- 275mm x 90mm x 203mm (W x H x D)

Weight

- 3.4 kg

OS Support

- Windows 7, Windows XP SP3, Windows XP Embedded, Linux

Other Features

- Watchdog Timer function

Certification

- CE
- FCC Class A

System Models

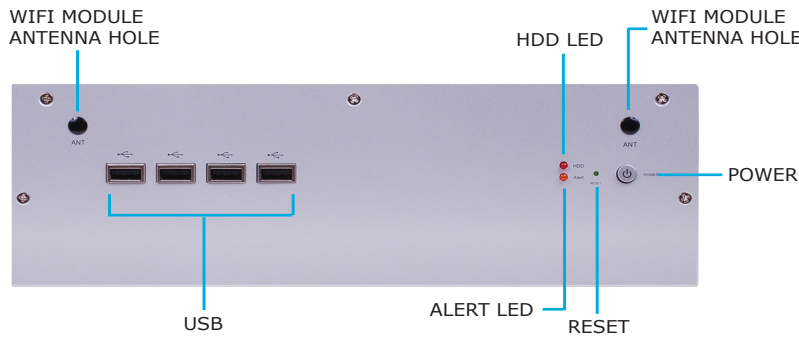
Rear I/O Ports	EC210-LR6880	EC210-LR6G60	EC210-LRA060
Power jack	1	1	1
Speaker-out	1	1	1
VGA	1	1	1
LAN	2	2	2
COM DB-9	4	6	4
COM 9-pole terminal block	2	0	0
COM 5-pole terminal block	0	0	6
USB	4	2	2
GPIO 9-pole terminal block	1	2	0

EC210 SERIES

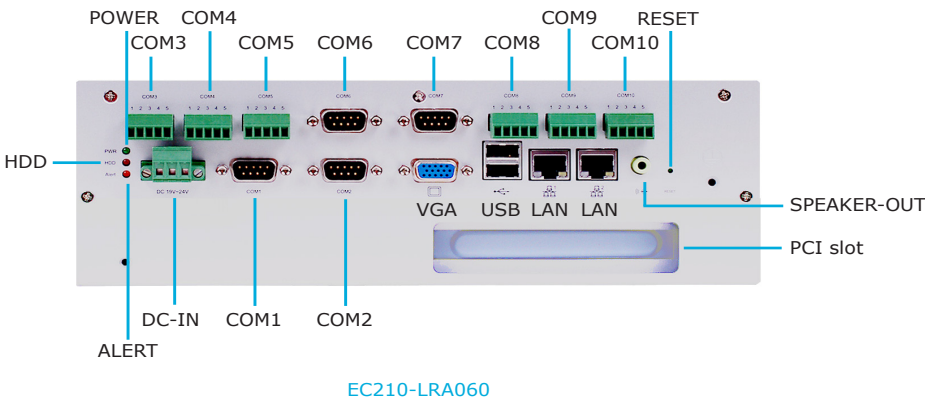
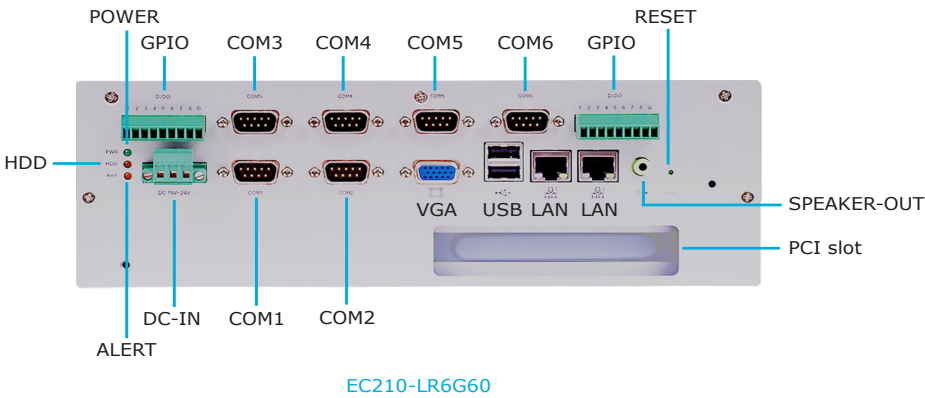
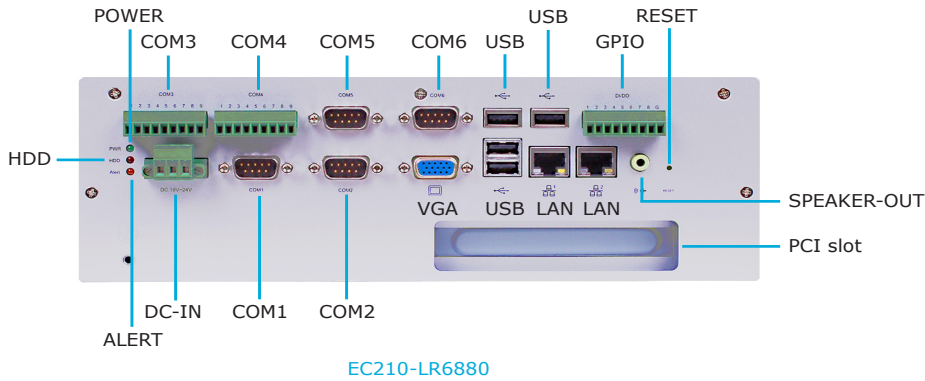
Embedded System



Front Panel



Rear Panel

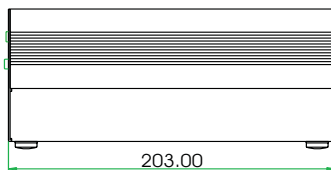
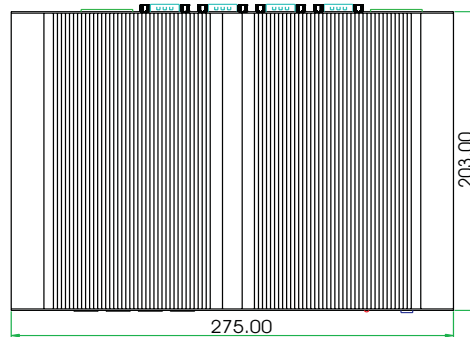


EC210 SERIES

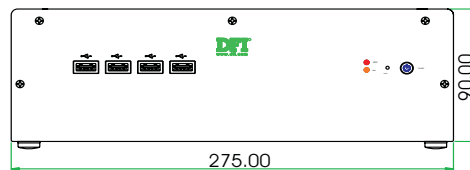
Embedded System



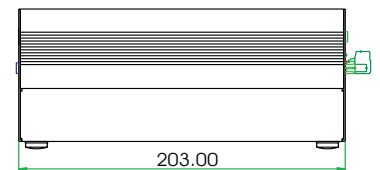
Dimensions



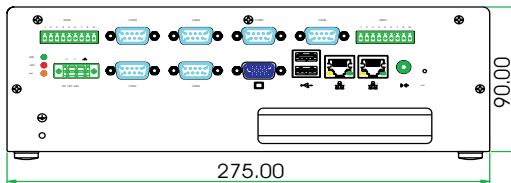
Left View



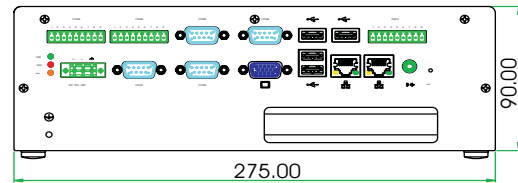
Front View



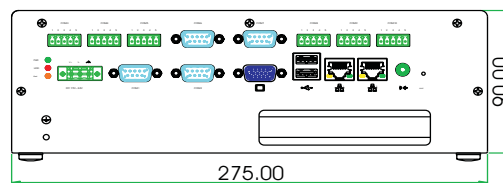
Right View



Rear View
EC210-LR6G60



Rear View
EC210-LR6880



Rear View
EC210-LRA060

Packing List

- 1 x EC210 system unit
- 1 x HDD drive bay kit
 - 2 x brackets
 - 1 x SATA data/power cable
 - 4 x bracket screws
 - 4 x HDD screws
- 1 x 60W power adapter
- 1 x Quick Installation Guide
- 1 x CD disk includes:
 - Drivers
 - Manual

Optional Items

- 1 x Wallmount kit
 - 2 wallmount brackets
 - Bracket screws
- 1 x VESA mount kit
 - 1 VESA bracket
 - Bracket screws
- 1 x power cord