



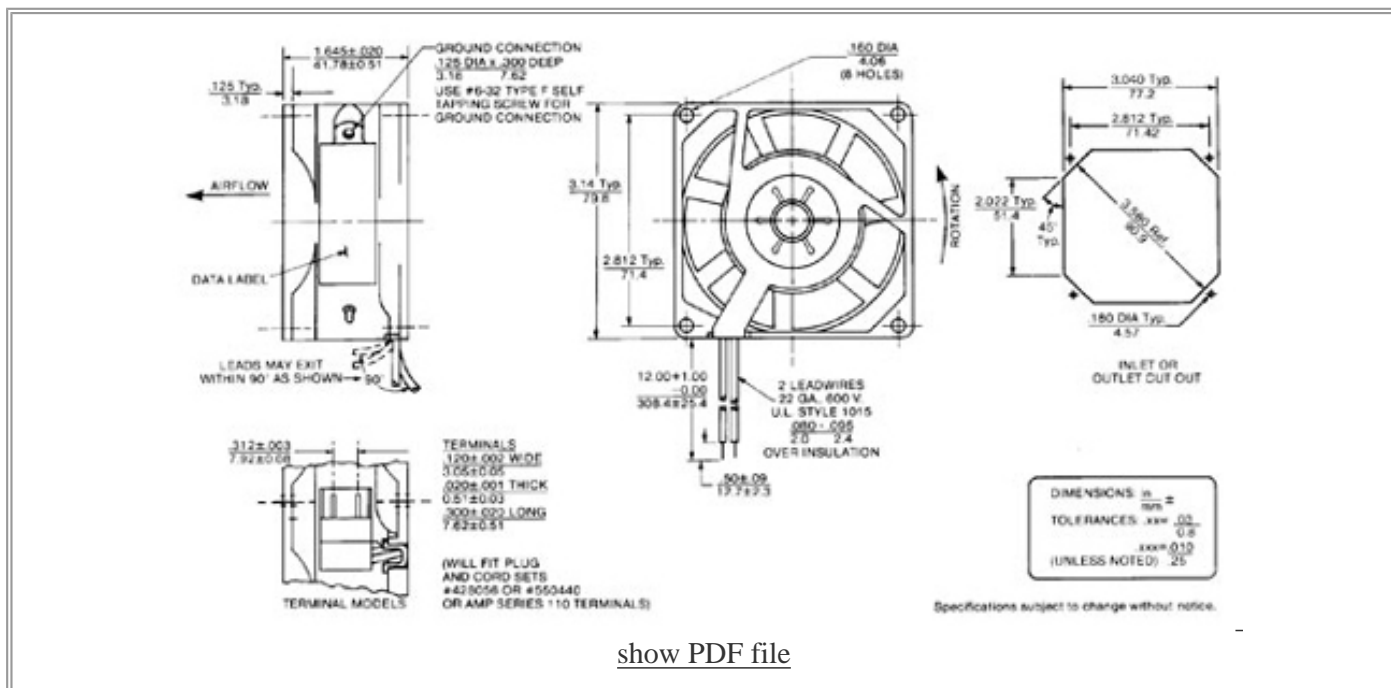
Sprite AC (AC Fan)

COMAIR ROTRON PART NUMBER: **028268**
 COMAIR ROTRON MODEL NUMBER: **SU2B1**



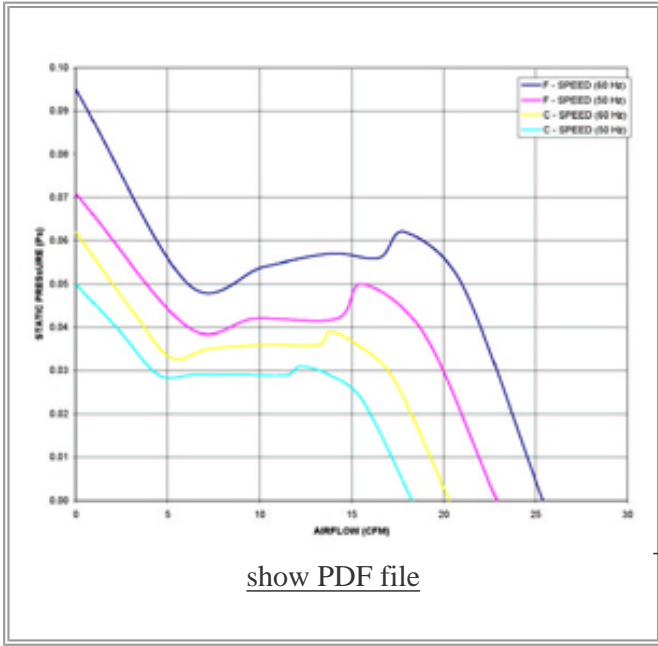
MOTOR	
Rated Voltage:	115
Operating Voltage Range:	
Running Current: 50Hz 60Hz (amps)	0.19 0.15
Locked Rotor Current: (amps)	0.22
Rated Power: 50Hz 60Hz (watts)	13 11
Nominal Speed: 50Hz 60Hz (rpm)	2750 3250

MECHANICAL	
Dimensions:	80mm x 42mm (3.15in x 1.645in)
Bearing Type:	Ball
Motor Base:	Metal
Propeller:	Polypropylene



[show PDF file](#)

NOTES



PERFORMANCE CHARACTERISTICS	
Air Flow: (CFM)	28/34
Static Pressure:	.106/.149

TERMINATION	
Leadwires:	12" Leadwires

SAFETY	

All product names are used under license and are trademarks or registered trademarks of Comair Rotron, Inc.

[New Search](#)