



Sprint - ST05B3 - 030829 - No
(Family) (Model) (Part #) (In Stock)

Electrical Specifications

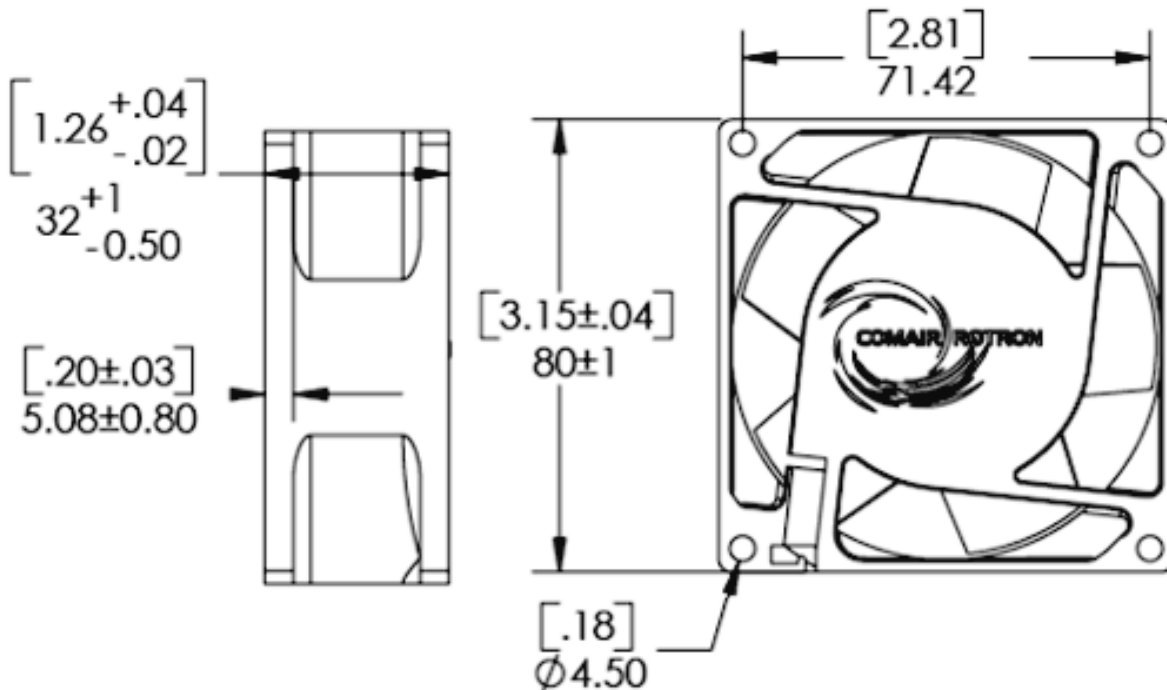
Operating Voltage:	5 Volts
Voltage Range:	4.5 - 6 Volts
Power Supply:	2.3 Watts
Line Current:	0.46 Amps
Locked Rotor Current	1.85 Amps
Nominal Speed:	3400 RPM

Mechanical Specifications

Dimensions:	3.1 x 3.1 x 1.3 in
Weight	6.35 oz
Max Airflow @ 0 in H ₂ O	34.0 CFM
Max Pressure @ 0 CFM	0.225 in H ₂ O
Noise	40.9 dBA



Mechanical Drawing





Fan Performance Curve

Fan Configuration Options

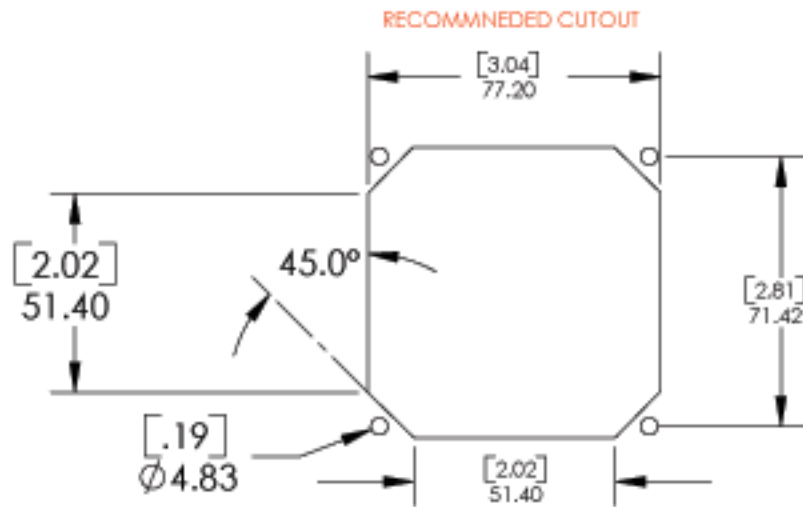
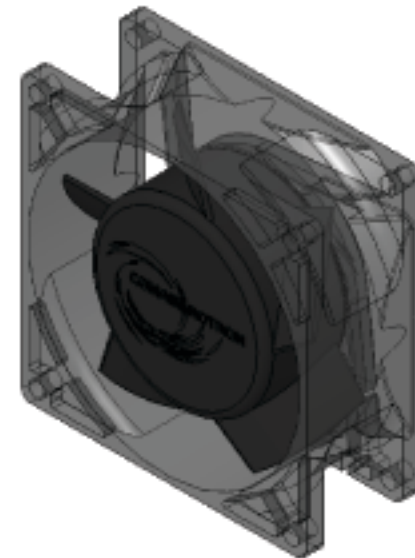
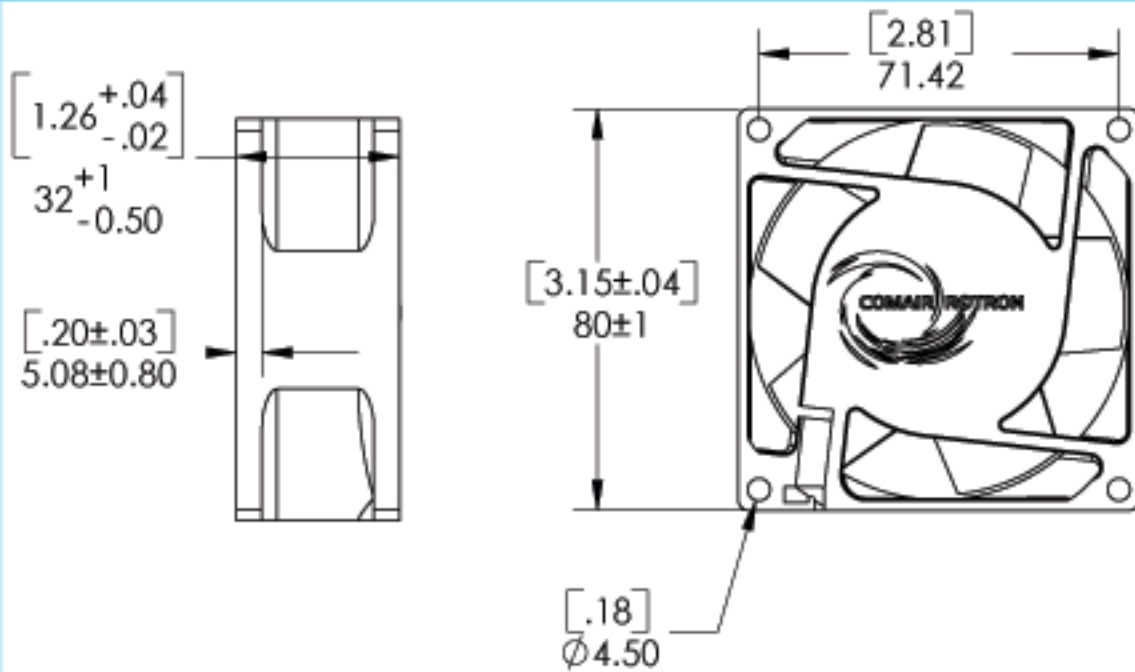
Sprint (Family)	ST05B3 (Model)	/ 030829 (Part #)	No (In Stock)	305 mm [12 inch] Leads (Features)
---------------------------	--------------------------	-----------------------------	-------------------------	---

Fan Speed:	3400 RPM	Fan Bearings:	Ball Bearings
Fan Airflow Direction:	Flow R (CCW Rotation)	Fan Termination:	Leads

Fan Monitoring Options:	No Fan Monitoring Options Selected
--------------------------------	---

Fan Speed Control Option:	No ThermaPro-V Fan Speed Control Options Selected
----------------------------------	--

Environmental Protection Options:	No Enviroshield Options Selected
--	---



CONTACT INFO: WWW.COMAIRROTRON.COM			
TOLERANCE UNLESS OTHERWISE SPECIFIED 2 PL. DEC + 0.1 8 3 PL. DEC + 0.1 24 MILL LIT + .01	AMERICAN PROJECTION FIRST ANGLE	3D MODEL FOUND AT...	
SPRINT			