

BPC-5015-F

15" Panel PC with Touch Screen, Atom™ N550, 2 COM, 6 USB, 180W ATX P/S, 1 Expansion Slot

Panel PC



Features

- » Aluminum front panel design
- » 15" TFT color panel display w/ touch screen
- » Intel® Atom™ N550 processor
- » VGA, dual Gigabit Ethernet, Audio port
- » 1 x 2.5" SATA HDD space, 1 x slim CD-ROM space
- » 1 x mini PCIe socket
- » 1 x PCI slot
- » 2 x COM port, 6 x USB2.0 port, parallel port
- » 180W ATX power supply
- » 3 x 4cm ball bearing cooling fan
- » Option for Wireless LAN module

System

LCD

Size: 15"
Max. Resolution: 1024 x 768 pixels
Brightness: 350 cd/m²
Contrast Ratio: 700:1
Max. Color: 16.2M/262K colors
Pixel Pitch: 0.297 x 0.297 mm

Touch Screen

15" resistive

SBC

HS-1754A

CPU

Intel® Atom™ Dual-Core N550 processor 1.5GHz

System Chipset

Intel® NM10

System Memory

2 x 204-pin SO-DIMM, DDR3 1333MHz, Max. 2GB

Display Interface:

1 x D-SUB 15-pin

Audio Interface

Audio jack for MIC In, Line Out, Line In

Ethernet Interface

2 x RJ-45 for Gigabit Ethernet
1 x USB wireless LAN module (option)

Storage

1 x 2.5" SATA HDD space
1 x slim CD-ROM space

Expansion Interface

1 x mini PCIe socket
1 x PCI slot

Watchdog Timer

Software programmable time-out intervals from 1~255 sec. or 1~255 min.

H/W Status Monitor

Monitoring temperatures, voltages, and cooling fan status

Thermal System

3 x 4cm ball bearing cooling fan

Power

180W ATX power supply

Operating/Storage Temperature

0~50°C/-20~+70°C

Certification

FCC/CE Class A compliance
IP65 front panel protection compliance

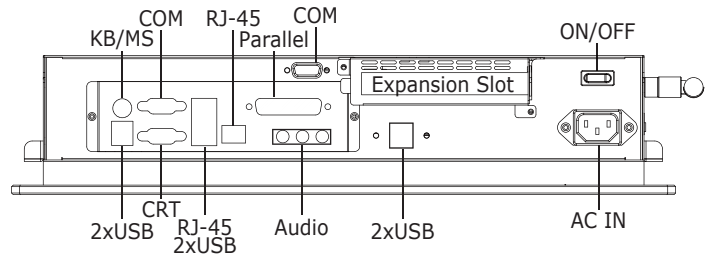
Dimensions

42.0(L) x 33.0(H) x 8.79(W) cm

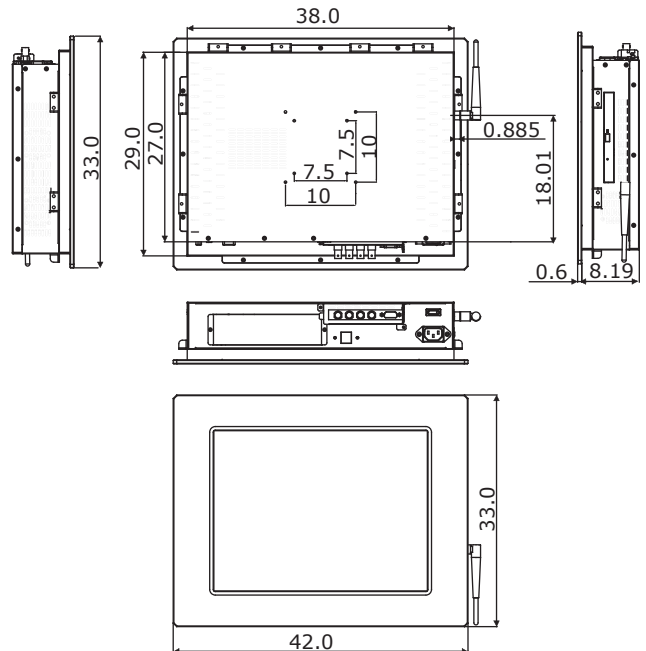
Cut Out Size

38.4(L) x 29.4(H) cm

I/O Interface



Dimensions (unit:cm)



Ordering Information

BPC-5015-F

15" Panel PC w/Touch Screen, Atom™ 1.5GHz CPU, 2 COM, 6 USB, 180W ATX P/S

Accessory Options

Table Top Metal Stand, Memory Module, Wireless LAN Module, 2.5" SATA HDD, Slim CD-ROM