

### Compact Magnetic Swipe Card Reader With USB Interface

- Connects to PC via USB cable
- Reads up to 3 tracks simultaneously
- No external power supply required
- Software-selectable keyboard emulation or program modes



## Ordering Information

Magnetic tracks supported (R, R/W)					IC contact	Interface (See note)	Cover	Cable	Color	Part Number
1	2	3	Center	JISII						
R	R	R	—	—	No	USB	Yes	Yes	Ivory	V3TU-1K
—	—	—	—	R	No	USB	Yes	Yes	Ivory	V3TU-2K
R	R	—	—	R	No	USB	Yes	Yes	Ivory	V3TU-FK

Note: If keyboard wedge interface is required, contact your local Omron representative.

### ■ TYPICAL APPLICATIONS

- Point-of-Sale (POS) Systems
- Credit Card Readers
- ID Card Checkers
- PC Peripherals

## Specifications

Part number	V3TU	
Recommended Magnetic card type	ISO 7810, 7811-1 to -5, 7812 & 7813	
Recording method	F2F	
Swipe direction	Single direction	
Communication protocol	USB protocol revision 1.0	
Card feedingspeed	100 to 1,000 mm/sec. (3.93 to 39.4 in/sec.)	
Interface connector	USB series B (female)	
Mounting location	Indoors; away from rain, sunlight and dust	
Power supply	USB cable	
Current consumption	Operating: 100 mA (max.), Standby: 500 mA (max.)	
Ambient temperature	Operation	0° to 40 °C (32° to 104 °F)
	Storage	- 15° to 60 °C (5° to 140 °F)
Ambient humidity	Operation	30 to 80% RH, with no condensation and absolute air humidity of 23 g/m <sup>3</sup> or less
	Storage	20 to 90% RH, with no condensation and absolute air humidity of 40 g/m <sup>3</sup> or less
Vibration endurance	10 to 150 Hz/minute with 2.0 mm (0.08 in) X,Y,Z each direction for 15 min.	
Shock endurance	196 m/s <sup>2</sup> (20 G)	
Cable length	2m (6.56 ft)	
Dimensions	120 L x 58.3 W x 39.5 H mm (4.72 L x 2.30 W x 1.56 H in)	
Weight	Approx. 200 g (6.53 oz)	
Service life	300,000 passes minimum	

## I/O Information

### ■ INTERFACE CONNECTOR

USB series B (female)

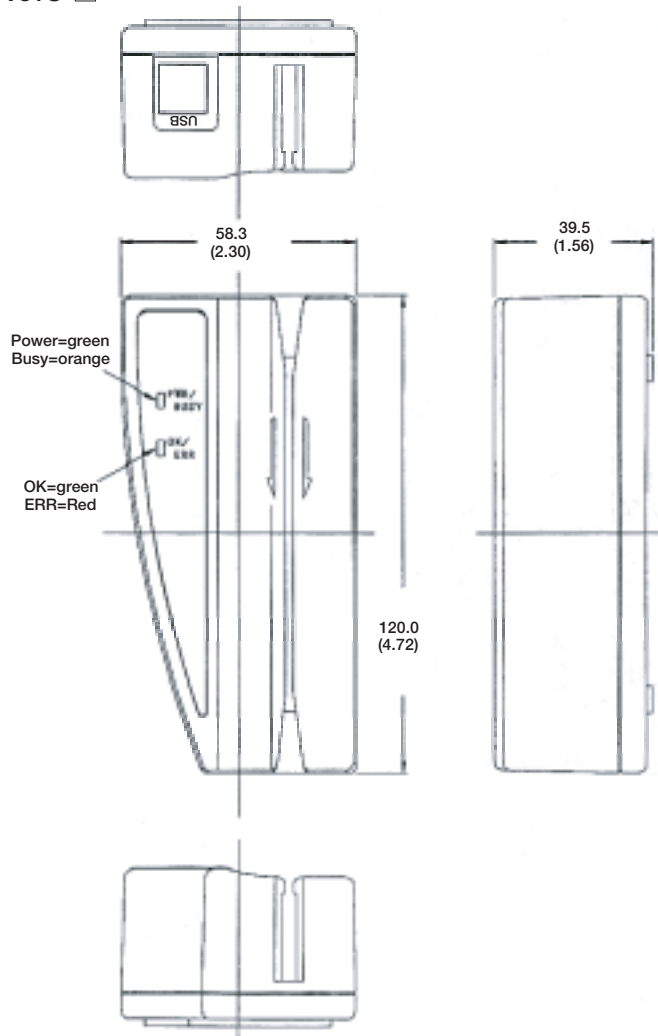
### ■ INTERFACE METHOD

USB protocol Revision 1.0

# Dimensions

Unit: mm (inch)

V3TU-□



**OMRON**®

Card Business Promotion Division  
 Card Reader Components Dept.  
 ©OMRON Corporation  
 Gate City Ohsaki, West Tower 14F 1-11-1, Ohsaki, Shinagawa-Ku Tokyo, 141-0032 JAPAN  
 TEL. 81-3-5435-2012 FAX. 81-3-5435-2017

URL : <http://www.omron.com/card/cardreader>

Contact our nearest representative at

CAT. No. IW-01

©OMRON Corporation 2002

All Rights Reserved

• This catalog is valid as of April 2002.  
 • Real products may slightly differ in color from catalog products, due to catalog printing methods.  
 • All specifications may be subject to change without notice.