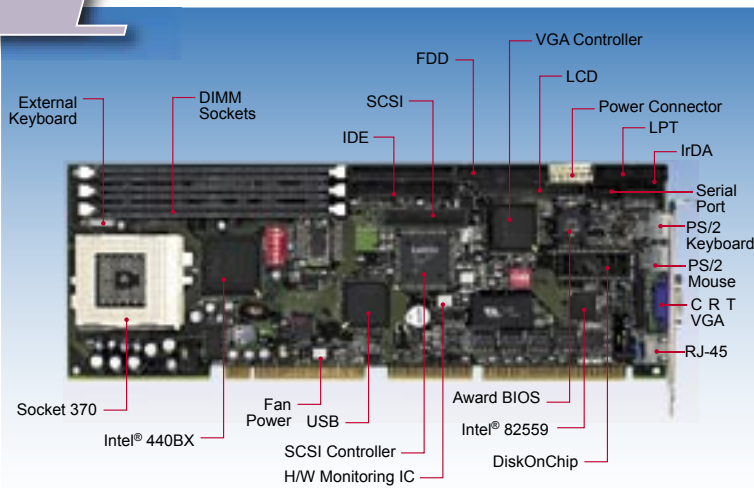


# 1 IB730

## Socket 370 Full-Size III CPU Card w/ Intel® 440BX AGPset



### Features

- Supports Pentium® III / Celeron® processors  
Up to 1.1GHz, 66/100MHz FSB
- SDR DIMM x 3, max. 768MB
- Intel® 82559 10/100 BaseT Ethernet
- C&T 69000 VGA, supports CRT/LCD
- Optional Initio Inic1060 Ultra 2 SCSI
- ISA High Drive, Watchdog timer, DiskOnChip®

### System

CPU	Socket 370 for Pentium® III / Celeron®, up to 1.1GHz
System Memory	SDR DIMM x 3, max. 768MB
System Chipset	Intel® 440BX AGPset, 66/100MHz FSB
BIOS	Award 2Mbit
Watchdog Timer	16 levels
SSD	DiskOnChip®
H/W Monitor	Yes
Expansion Slot	N/A

### Graphics

VGA Controller	C&T 69000
VGA Memory	2M embedded
LCD Interface	36-bit TTL

### Ethernet

LAN Controller	Intel® 82559 LAN, 10/100Mbps
Connector	Pin header for RJ-45

### Multi I/O

Chipset	Winbond W83977 2x IDE (UDMA33), 1x FDD, 1x KB, 1x Mouse, 1x RS-232, 1x RS-232/422/485, 1x LPT
USB	Pin header for 2 ports (USB 1.1)
Audio	N/A
Others	IrDA

### Mechanical and Environmental

Dimensions	338mm x 122mm (13.31" x 4.8")
Max. Power Requirement	+5V: 10A +/-12V: 0.5A
Operating Temperature	0°C~60°C (32°F~140°F)
Storage Temperature	-20°C~80°C (-68°F~176°F)
Relative Humidity	10%~90% (non-condensing)

### Ordering Information

IB730	Socket 370 Full-Size Intel® 440BX CPU card w/ VGA and 10/100 Ethernet
IB730P	Socket 370 Full-Size Intel® 440BX CPU card w/o VGA, w/o Ethernet
IB730V	Socket 370 Full-Size Intel® 440BX CPU card w/ VGA, w/o Ethernet
IB730S	Socket 370 Full-Size Intel® 440BX CPU card w/ VGA, Ethernet & SCSI (w/o SCSI cable)

CPU Cards 1

Disk-Size SBCs 2

Motherboards 3

ETX CPU Module 4

CompactPCI 5

PC/104 Plus 6

Firewall 7

ETX Baseboard &amp; Backplane 8

MiniPCI MicroAGP &amp; MicroPCI 9