

SCU

TOTAL ACCESS™ 1500 SCU

PRODUCT FEATURES

- Controls all common equipment and access modules
- Mechanized Loop Test (MLT) capability
- Provides VT 100 craft interface via faceplate DB-9 connector
- Alarm cutoff (ACO) pushbutton
- LED network status indication
- T1 performance monitoring
- Test equipment timing output
- NEBS Level 3 and UL 1950 compliant

The ADTRAN Total Access 1500 System Controller Unit SCU is a common module plug-in unit that provides all control functions for the Total Access 1500 common units and all individual access modules. It is the logical and physical interface to the Total Access 1500 and is responsible for managing the craft interface port for provisioning of channel units. The SCU manages all network related functions and communicates externally through RS-232, RS-485, and Ethernet interfaces. The SCU also supervises the Mechanized Loop Test (MLT) feature and controls the activation/deactivation relays. The SCU monitors the T1 alarm information received from the LIU along with the status of the PSU/RG, and then determines the alarm state of the bank.

A faceplate CRAFT DB-9 provides access for a VT100 terminal for screen menu provisioning. A momentary push-button switch is accessible through the faceplate, which controls alarm cutoff (ACO). Status indicators are also located on the front panel. The unit has T1 performance monitoring and test equipment timing output. It complies with NEBS Level 3 and UL 1950 standards.

ADTRAN's new Carrier Class multiservice access platform, Total Access 1500, offers unmatched versatility for narrowband service offerings in the smallest form factor available. The platform integrates the functionality of many different carrier products into a single chassis. It features high density, easy provisioning, flexible deployment, and low cost-per-port. The Total Access 1500 can terminate up to five individual T1s, using copper or fiber facilities to provide diverse network routing and protection. Deployed in either the central office or remote terminal, the Total Access 1500 provides a fast, simple, and effective means of increasing POTS capacity, deploying special services, and deploying DSL services.

CORPORATE OFFICE

ADTRAN, Inc.
901 Explorer Boulevard
P.O. Box 140000
Huntsville, AL 35814-4000

800 9ADTRAN
256 963-8000
fax: 256 963-7916
fax back: 256 963-8200
e-mail: info@adtran.com
web site: www.adtran.com

REGIONAL OFFICES

Dallas, TX
800 471-8648

Denver, CO
800 471-8651

Irvine, CA
800 788-5408

Kansas City, KS
800 471-8649

Philadelphia, PA
800 471-8656

San Antonio, TX
888 223-7671

INTERNATIONAL CONTACTS

Asia Pacific-Hong Kong
1 852 2824-8283 (Hong Kong)

Europe-Zurich, Switzerland
41 1 880 27 77

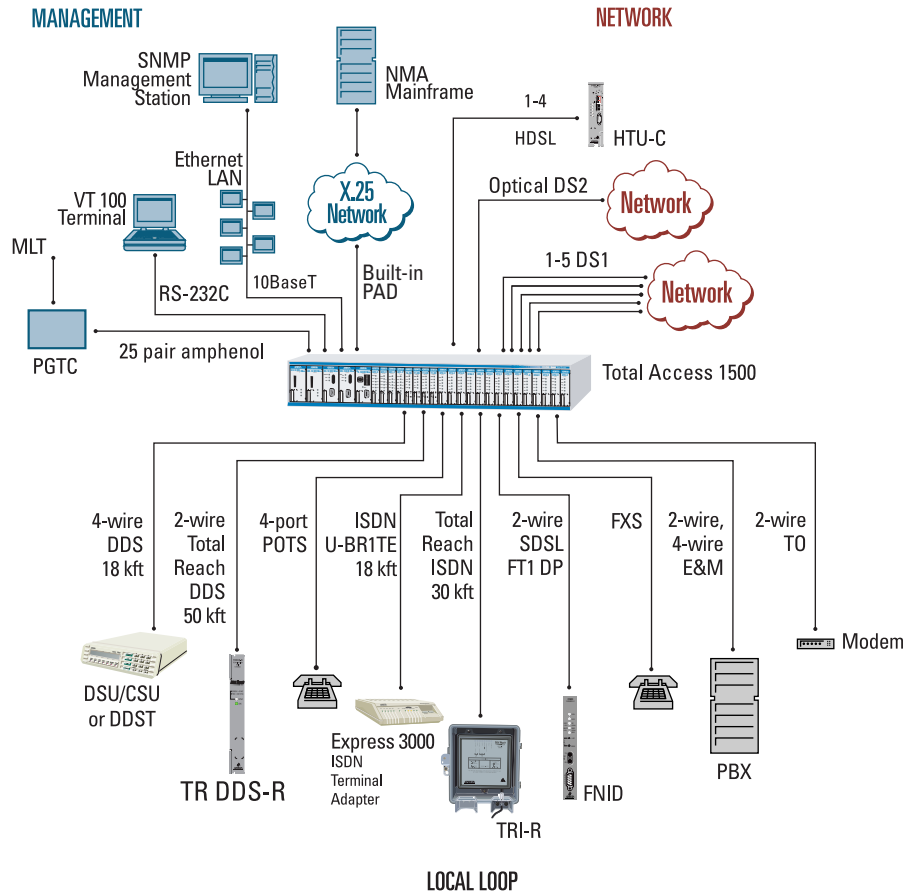
Mexico/Caribbean
1 954 577-0357

Latin America
1 954 746-5355

Canada-Ontario
1 905 474-5703

Canada-Quebec
1 514 940-2888

All other inquiries
1 256 963-2500



Product Specifications

MECHANICAL

- **Dimensions:** 2.34" H, 0.70" W, 9.12" L
- **Weight:** 2 lb
- **Mounting:** Plugs into the SCU slot of the Total Access 1500 chassis

FACEPLATE FEATURES

LEDs

- **MJR:** Red indicates major alarm active.
- **MNR:** Red indicates minor alarm active.
- **RMT:** Yellow indicates remote or auxiliary alarm active.
- **ACO:** Green indicates ACO switch activated.
- **HST:** Green indicates master RS485 unit.
- **MLT BSY:** Green indicates MLT test active.
- **ACO pushbutton:** Audible office alarm cutoff.

ENVIRONMENTAL

- **Operating:** -40° to +65°C
- **Storage:** -40° to +85°C
- **Relative Humidity:** Up to 95%, non-condensing

Ordering Information

EQUIPMENT	PART #
SCU (COT or RT).....	1180008L1
SCU COT w/MLT.....	1180008L2
SCU RT w/MLT	1180008L3

Specifications subject to change without notice.



I.S. EN ISO 9001
ADTRAN is an ISO 9001 registered company.



Printed in the U.S.A. on recycled paper.
61180008Lx-8B September 2000
©2000 ADTRAN, Inc. All rights reserved.