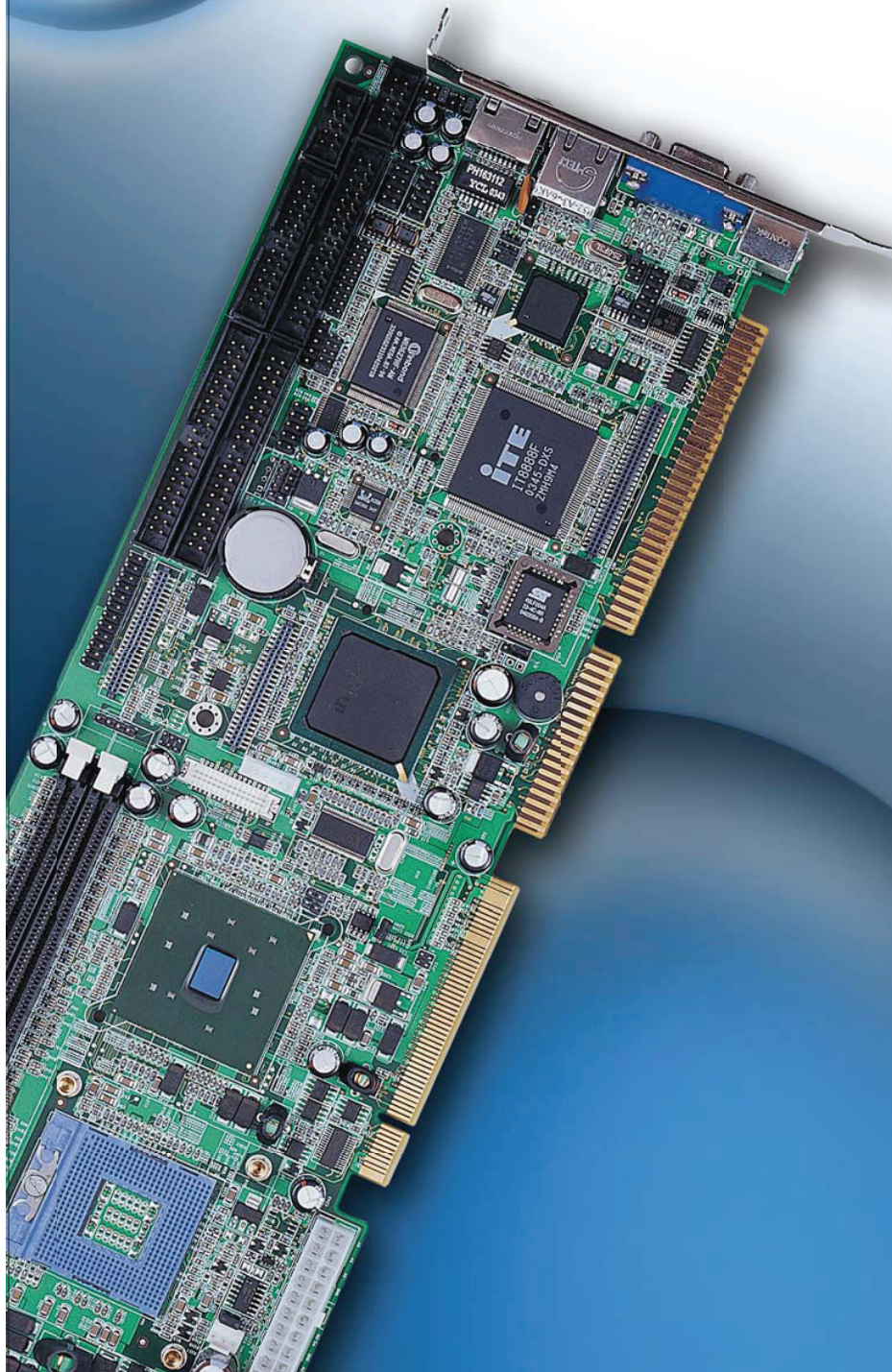


# SBC



## Prox-F501

### Pentium® M Full-size CPU Card with VGA/Sound/2LAN

**Prox-F501** is the new Pentium® M single board computer, based on the latest Intel® processor, Pentium® M and Intel® 855GME chipset. The Pentium® M series allow systems to be thin, light and with low power design. With innovative power management, it enables computer to run robust application with low power consumption. It is an excellent balance of performance and electrical expenditure. In addition, the new Pentium® M series also provide high speed networking availability, supporting dual LAN ports up to 1Gigabits with Intel®82541GI chipset.

The Prox-F501 supports Intel® Pentium® M processor up to 1.8GHz with 400MHz front side bus, and two 184-pin 266/333MHz DDR SDRAM DIMM sockets capable of supporting 2GB of memory. With onboard Intel® 855GME chipset, the Prox-F501 provides multi display functions, including CRT, DVO, and LVDS LCD. Also with an additional socket for the Compact Flash™ bootable IDE-compatible flash memory module, the Prox-F501 ensures exceptional expansion capabilities. Other powerful functions of Prox-F501 are 2 COM ports, 4 high speed USB2.0 ports, AC '97 Codec, keyboard/mouse connectors, 2 EIDE (UDMA 33/66/100) interfaces, printer port, and etc.



**PROTECH SYSTEMS**  
*It's a right choice*

No. 24, Lane 365, Yang Guang St., Nei Hu District, Taipei 114, Taiwan, R.O.C.

Tel: +886-2-8751-1111

Fax: +886-2-8751-1199

Email: [sales@protech.com.tw](mailto:sales@protech.com.tw)

<http://www.protech.com.tw>

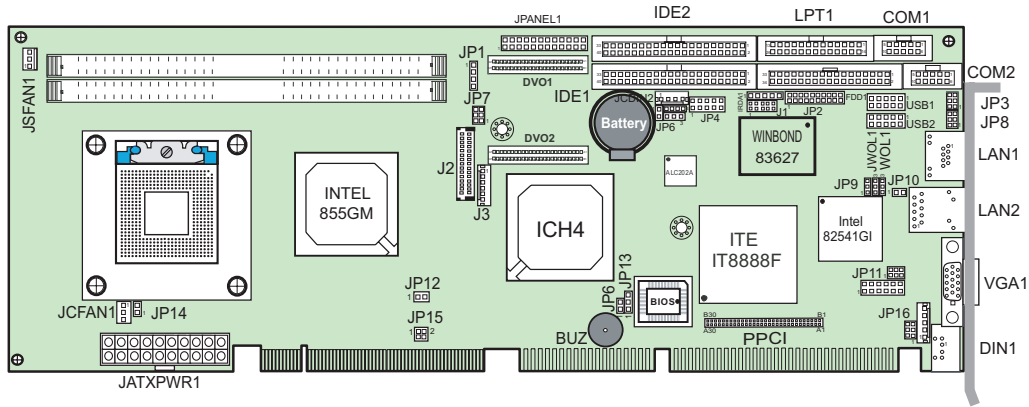
**Intel®**  
**Communications.**

**Alliance**  
Affiliate Member  
BRONZE

**ISO CERTIFIED**  
**9001 14001**

# Prox-F501

Socket 478 Pentium® M CPU Card with VGA/Sound/2LAN



## Specifications

<b>CPU Type</b>	Intel® Pentium® M CPU
<b>CPU Voltage</b>	Auto detect
<b>CPU Frequency</b>	1.3~1.8GHz & up reserved
<b>Chipset</b>	Intel® 855GME/GM Chipset with ICH4, FWH
<b>DRAM</b>	2 x 184-pin DDR DIMM up to 2GB
<b>Cache</b>	Built-in CPU
<b>BIOS</b>	Phoenix-Award PnP BIOS with VGA BIOS
<b>I/O Chipset</b>	Winbond W83627HF
<b>IDE Interface</b>	2 x EIDE (UDMA-100)
<b>FDD Interface</b>	1
<b>Serial Port</b>	2 x 16550 UART, COM2 for RS232/422/485
<b>Parallel Port</b>	1 x parallel (SPP/EPP/ECP)
<b>Watchdog</b>	0~255 sec. Watchdog Timer selectable w/ Reset/NMI
<b>CMOS</b>	Built-in ICH4
<b>Keyboard</b>	Mini DIN connector & external connector
<b>Mouse</b>	Mini DIN connector (selectable w/ keyboard/Y-cable)
<b>Speaker</b>	Internal buzzer
<b>IrDA</b>	1 x IrDA (SIR)
<b>Sound</b>	AC '97 Codec
<b>LAN</b>	Dual ports, support Wake-on-LAN LAN1: Intel®82562EM PHY, 10/100 Base-TX Ethernet, LAN2: Intel®82551QM or 82541GI, 10/100/1G LAN

<b>VGA</b>	Built-in Intel® 855GME, supports CRT, LVDS (18/24-bit), DVO and dual display
<b>USB</b>	4 x USB 2.0
<b>SSD</b>	1 x Compact Flash slot
<b>Bus Interface</b>	ISA/PCI (PICMG Spec), PPCI Bus optional for PPCI Daughter Board
<b>Power Supply</b>	Support AT/ATX power
<b>Power Requirement</b>	+5V, +12V, and -12V
<b>Hardware Monitor</b>	Voltage, CPU temp. & cooling fan
<b>Green Function</b>	Controlled by hardware & software
<b>Mechanical and Environment</b>	
<b>Operation Temp.</b>	0 °C ~ 60 °C , 32 °F ~ 140 °F
<b>Storage Temp.</b>	-40 °C ~ 85 °C , -40 °F ~ 185 °F
<b>Humidity</b>	20~90%
<b>Vibration</b>	2.5g acceleration over 5 to 2000Hz sine wave(p-p), 1 oct/min sine sweep
<b>Shock</b>	30g, 11 msec duration, half-sine shock pulse
<b>Dimension</b>	338.5mm x 122mm, 13.33" x 4.8"
<b>Certificate: CE, FCC CLASS A</b>	

## ORDERING INFORMATION

- Prox-F501-P0201 with VGA/Sound/LAN1
- Prox-F501-P0204 with VGA/Sound/LAN1/LAN2: 1G LAN

## PERFORMANCE & POWER CONSUMPTION

CPU Type	Business Winstone 2002	3Dmark 2001SE Build 330	CC Winstone 2001	Power Consumption +5V / +12V
Celeron® M 1.3GHz	28.8	2155	81.7	3.71A / 2.27A
Pentium® M 1.4GHz	32.4	2223	87.8	3.49A / 2.37A

All of trademarks and brand names are the property of their owners. Trademark "Protech" is the property of Protech Systems Co., Ltd. All information contained in this document is subject to change without any prior notice. This catalog is copyrighted in May 2004.