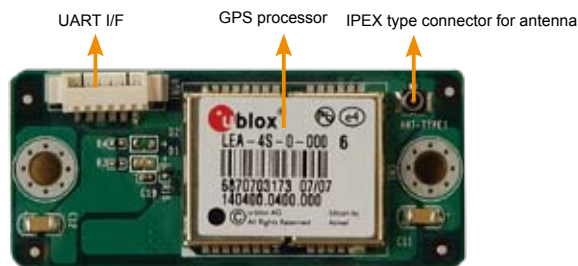
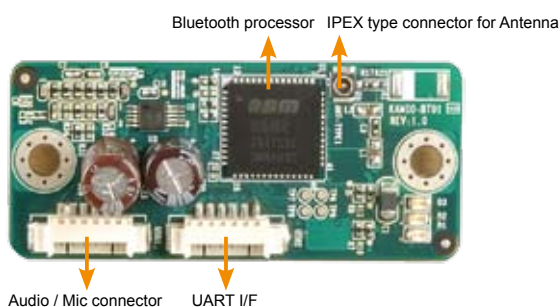


KAMIO-BT01 / GPS01

- COTS (Commercial off-the-shelf) Specification v1.2 Bluetooth module
- COTS (Commercial off-the-shelf) 16 channel ANTARIS 4 positioning engine GPS module



Specifications

KAMIO-BT01

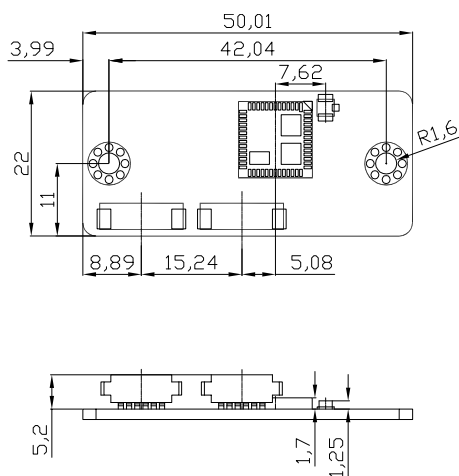
- Compliant with Bluetooth specification v1.2
- Profile: support Head-set, Hand-free, A2DP, and SPP
- Up to 1 Mbps data transfer rate and 10M transfer distance
- Chipset: APM8682
- OS support: Windows® CE 5.0
- Interface: UART
- Antenna: IPEX type and Chip antenna
- Operating Voltage: 3.3 V
- Consumption current: < 100 mA
- Operating Temperature: -20°C~70°C
- KAMIO Integration supports KAMIO-CB01A / CB03 / CB04 / CB05

KAMIO-GPS01

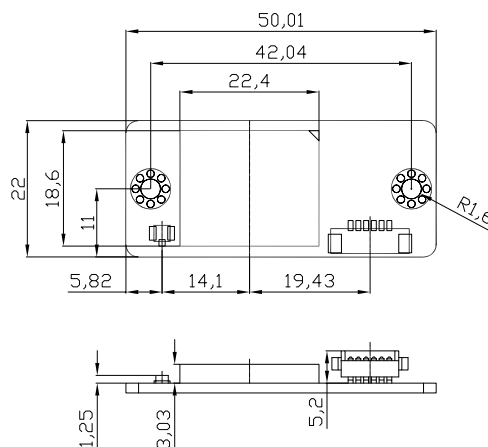
- 16-channel ANTARIS 4 positioning engine
- Supports DGPS, WAAS, EGNOS and MSAS
- A-GPS and Autonomous GPS operation, AssistNow™ ready
- Chipset: ublox LEA-4S
- OS support: Windows® CE 5.0
- Interface: UART
- Antenna: IPEX type
- Operating Voltage: 3.3 V
- Consumption current: < 150 mA
- Operating Temperature: -20°C~70°C
- KAMIO Integration supports KAMIO-CB01A / CB03 / CB04 / CB05

Dimensions (Unit : mm)

KAMIO-BT01



KAMIO-GPS01



Ordering Information

Part No.	Description
KAMIO-BT01-R10	Specification v1.2 Bluetooth module
KAMIO-GPS01-R10	16 channel ANTARIS 4 positioning engine GPS module

Packing List

KAMIO-BT01	1 x KAMIO-BT01 module card 1 x Connection cable 1 x User manual 1 x Utility CD includes demo AP and SDK	KAMIO-GPS01	1 x KAMIO-GPS01 module card 1 x Connection cable 1 x User manual 1 x Utility CD includes demo AP and SDK
------------	--	-------------	---