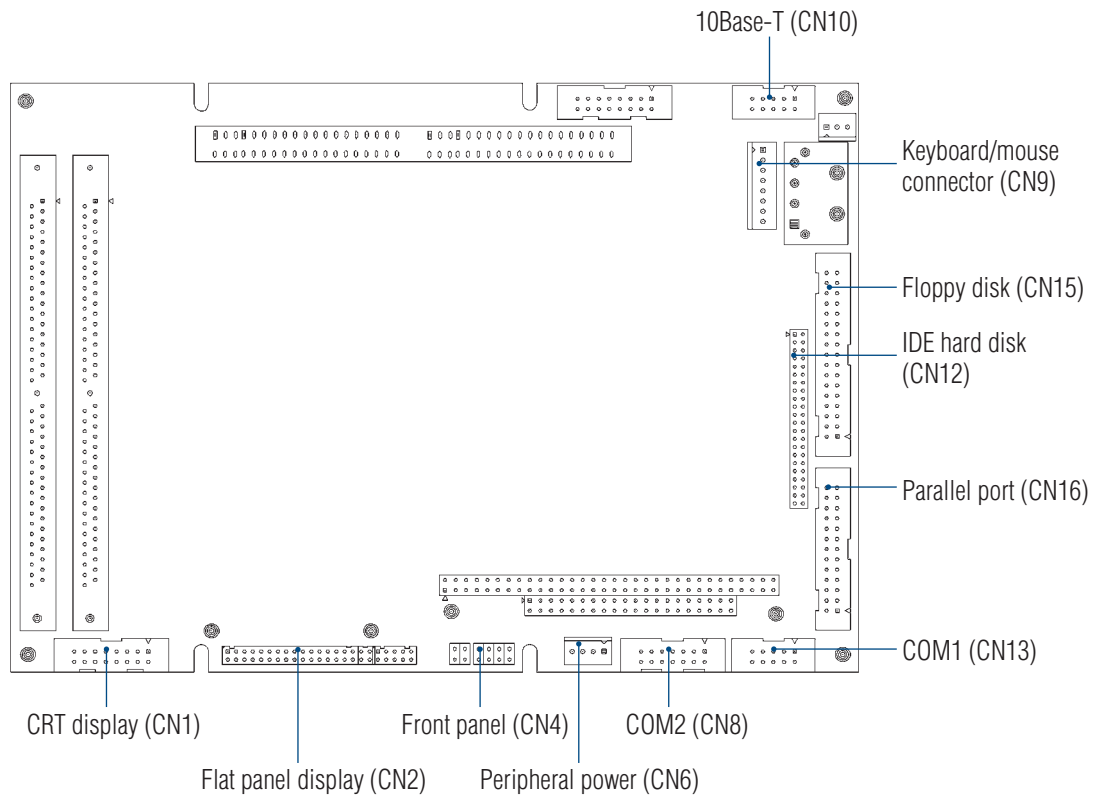


PCM-10586-1

Installation Wiring Kit for PCM-4862

The PCM-10586-1 cable kit includes the following cables:



Part No.	Cable Description	PCM-4862 Connector	Terminal Connector
1701440350	2.5" and 1.8" IDE	CN12	44-pin, 2 mm, female IDC(350 mm)
1701440500	3.5" IDE (40P)	CN12	40-pin, 2.54 mm, female IDC(500 mm)
1701340700	Dual floppy, 3.5" and 5.25"(34P)	CN10	34-pin dual floppy
1701260301	Parallel Port	CN14	25-pin female DSUB
1701100200	Network, 100Base-T	CN3	RJ45 8-pin modular jack
1701150150	VGA CRT	CN18	2 x 8 pin header (2 mm) 15-pin DSUB
1700060200	Keyboard and PS/2 mouse	CN9	5-pin circular DIN, 6-pin circular DIN
1703040301	Peripheral power(-5V and -12V)	CN22	(4-conductor)
1701440303	24-bit LCD cable	CN20	44-pin, 2 mm, 300 mm
1701160302	Ext. LCD cable	CN21	16-pin, 2 mm, 300 mm
1701080300	Front panel	CN15	(8-conductor pigtail)
1700400000	COM 1-4 cable	CN23	40-pin, 9-pin male DSUB x 4
1700160000	Audio cable	CN4	3.5 mm, female phone jack x 5
1700080301	Video-in cable	CN30	RCA jack, 8-pin female
1700060300	Video-out cable	CN19	RCA jack, 6-pin fe