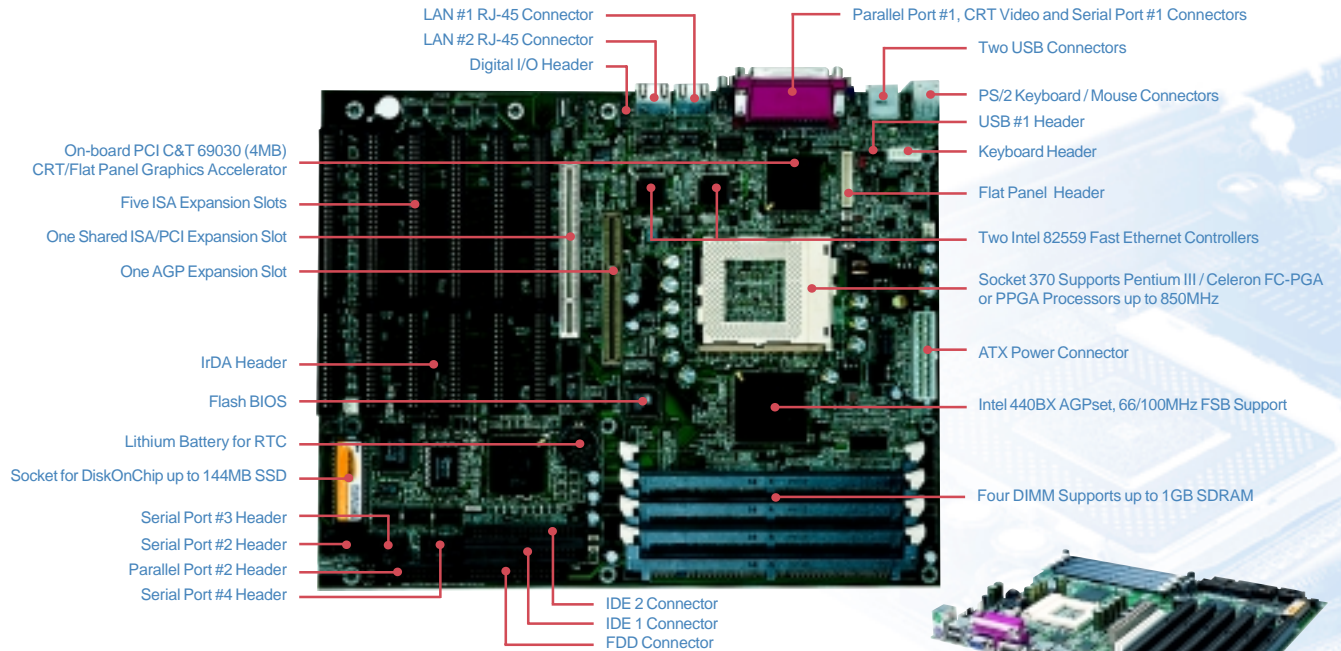


MB-X61 Socket370 ATX Motherboard w/ Video, Dual Ethernet and 6 ISA Slots

Industrial ATX Motherboard



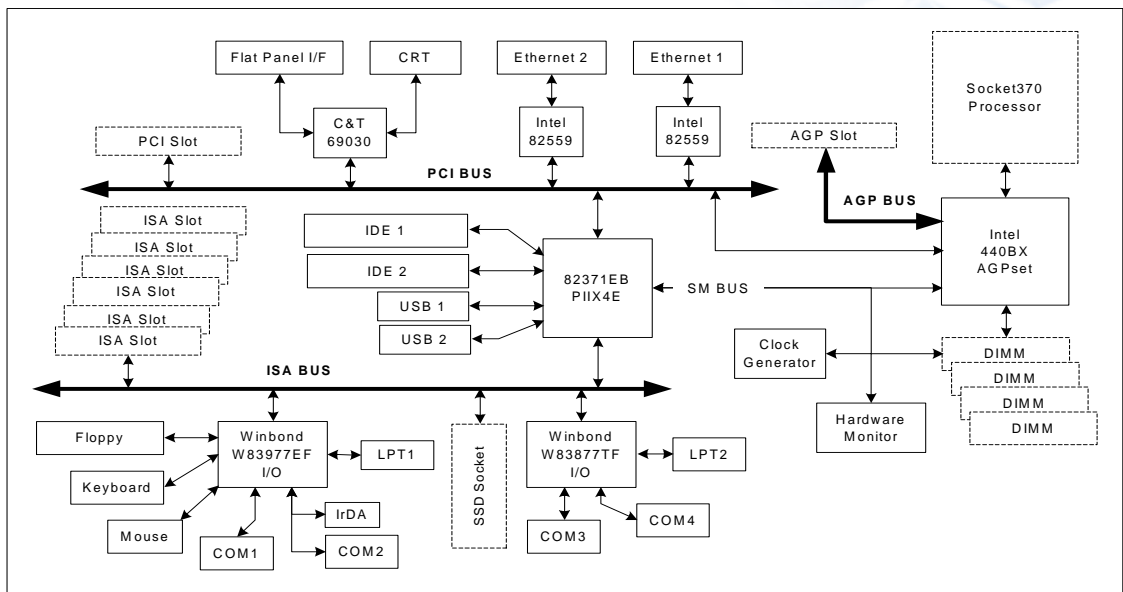
Introduction

The MB-X61 is specially designed for telecom, telephony, and other applications where multiple ISA slots are needed. The ATX motherboard provides a total of 6 ISA slots for add-in cards. Based on the proven Intel 440BX chipset, it supports Intel Pentium III or Celeron FC-PGA processors and up to 1GB memory. On-board C&T 69030 video provides CRT and Flat Panel display, or you can upgrade video via the AGP slot with optional AGP video card. Two Intel 82559 Fast Ethernet are built-in for networking. Also included are quad serial ports, dual parallel ports and a socket for flash memory.

Highlights

- Version controlled industrial ATX Motherboard
- Intel 440BX AGPset
- Supports Intel Pentium III/Celeron processors up to 850MHz
- Supports up to 1GB SDRAM
- On-board C&T 69030 CRT / Flat Panel graphics accelerator
- Two on-board Intel 82559 10/100Base-T Ethernet controllers
- 1 AGP, 5 ISA and 1 shared PCI/ISA slots
- 4 Serial, 2 Parallel, 2 USB and 4 Digital I/O
- DiskOnChip flash memory support
- Multilevel watchdog timer and System health monitoring

Block Diagram



MB-X61 Socket370 ATX Motherboard w/ Video, Dual Ethernet and 6 ISA Slots

Industrial ATX Motherboard

■ Features

- **Processor**
Supports Socket370 Intel Pentium III / Celeron processors in FC-PGA or PPGA package.
Max processor speed supported:
533MHz with 66MHz FSB processors,
850MHz with 100MHz FSB processors.
- **Chipset**
Intel 440BX AGPset 66/100MHz FSB & Winbond 83977EF & 83877TF I/O chip.
- **System BIOS**
256KB Award licensed flashable BIOS.
- **System Memory**
Four 168-pin DIMM sockets support up to 1GB of PC66 or PC100 SDRAM modules (ECC capable).
- **Solid State Disk / Flash Memory**
One 32-pin DIP socket supports M-Systems' DiskOnChip up to 144MB.
- **Video**
C&T 69030 PCI LCD CRT / Flat Panel graphics accelerator with integrated with 4MB video memory.

Supports resolutions and color depth:
VGA 640x480 up to 16mil colors,
SVGA 800x600 up to 16mil colors,
XVGA 1024x768 up to 16mil colors,
SXVGA 1280x1024 up to 16mil colors,
and UXVGA 1600x1200 up to 64K colors.

Capable of "Simultaneous Display" of same screen and "Dual Display" of two different screens on CRT and Flat panel.
- **Fast Ethernet**
Two Intel 82559 PCI Fast Ethernet (10/100Base-T) controllers with two RJ-45 connectors on-board.
Supports Wake-on-LAN function.
- **IDE Interface**
Two PCI Enhanced IDE interface supports up to four (PCI Bus Master, Ultra DMA-33, Multiword DMA & PIO mode 0-4) IDE devices. Two IDE cables included.

■ Ordering Information

- **MB-X61A**
Socket 370 Industrial ATX Motherboard with on-board video, dual Ethernet and 6 ISA slots.

■ Specifications

- **Electrical**
Power Requirement: +5V, +12V
Power Input: Standard ATX
Power Consumption:
w/ PentiumIII 850MHz CPU
and 1GB RAM
4.4A @ +5V, 0.1A @ +12V (23.2W)
w/ Celeron 400MHz CPU
and 64MB RAM
3.5A @ +5V, 0.2A @ +12V (19.9W)
- **Mechanical**
ATX Motherboard
Dimension: 230mm x 305mm (9" x 12")
Weight: 697.4g (1lb 8.6oz)
- **Environmental**
Operating Temperature: 0°C to 60° C
Storage Temperature: -20°C to 70° C
Operating Humidity: 10% to 90% RH,
non-condensing
- **Reliability**
MTBF: >40,000 hours
- **Safety Approvals**
CE & FCC Certification Pending
- **Warranty**
Two years (Contact Sales for details)

■ Software

The MB-X61 is compatible with operating systems developed for x86 PC. The board supports Windows 95 / 98, Windows NT / NT Embedded, Windows 2000, and Linux. Drivers for various OSES are included on a CD-ROM with every package.