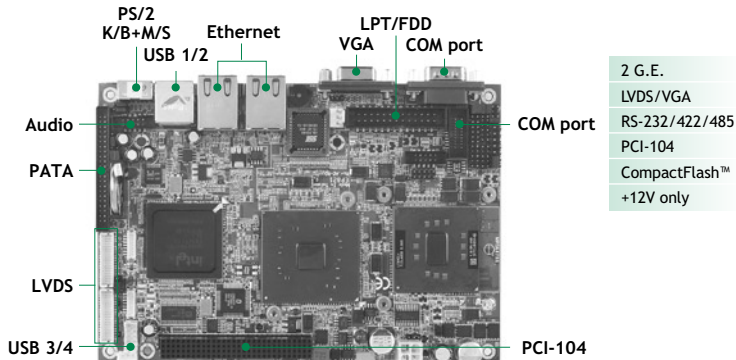


EP821

Socket 478 Intel® Pentium® M EPIC SBC with Intel® 915GME/910GML + ICH6M Chipset, DualView, SATA and PCI-104 Expansion



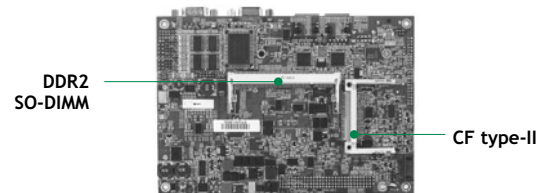
Features



- Socket 478 for Intel® Pentium® M/Celeron® M processor with FSB 400/533 MHz
- Intel® 915GME/910GML + ICH6M chipset
- DualView with different content & resolution
- Dual 10/100/1000Mbps Ethernet
- 4 USB 2.0 ports for high speed peripherals
- 4 COM ports supported
- PCI-104 slot for expansion
- +12V only supported

System

CPU	Socket 478 for Intel® Pentium® M/ Celeron® M processors with FSB 400/533 MHz; LV Intel® Pentium® M processor 1.4 GHz or ULV Intel® Celeron® M processor 1GHz/ZC onboard
System Memory	1 x 200-pin SO-DIMM supports DDR2-400/533 max. up to 1GB
Chipset	Intel® 915GME/910GML + ICH6M
BIOS	Phoenix-Award
SSD	1 x CompactFlash™ type-II
Watchdog Timer	255 levels, 1-255 sec.
Expansion Interface	1 x PCI-104 for 32-bit PCI supports 3 bus masters
Battery	Lithium 3V/220 mA
Size	165 x 115mm
Temperature	0° C ~ +60° C (32° F ~ 140° F), operation
Operation Humidity	10% ~ 95% relative humidity, non-condensing



▲ Rear view



▲ Side view

I/O

MIO	1 x IDE; PATA-100 1 x FDD/LPT(default); with SPP/EPP/ECP supported 1 x PS/2 keyboard and mouse 3 x RS-232 (COM 2/3/4); with +5V/+12V powered 1 x RS-232/422/485 (COM 1); with +5V/+12V powered
SATA	1 x SATA-150
Hardware Monitoring	Detect CPU/system temperature, voltage and fan speed
Ethernet	2 ports as 10/100/1000Mbps support Wake-on-LAN, RPL/PXE Boot ROM with Realtek RTL8111B
Audio	AC'97 Codec audio as MIC-in/Line-in/Line-out/speaker-out with Realtek ALC202A
USB	4 x USB 2.0 ports
Digital I/O	8 channels IN/OUT programmable

Display

Chipset	Intel® GMA 900 graphics Core
Memory Size	Intel® DVMT 3.0 compliant
Display Interface	1 x VGA 1st LVDS; 18/24-bit single/dual channel 2nd LVDS; 18/24-bit single/dual channel (optional)

Packing List

Standard			
Quick installation guide, user's manual/utility CD, cable			
Cable			
Part Number	Description	EP821VGGA Qty	EP821VGGA-1GE Qty
59484500010E	44-44-40 pin IDE cable L=200mm+200mm	1	1
59384500100E	Audio cable w/ bracket P=2.0 L=450mm	1	1
59382631000E	2 x USB 2.0 wafer cable w/ bracket L=180mm	1	1
59380000300E	COM port x 2 w/ bracket, P=1.27 x 2.54L=300mm	1	1
593826A0000E	SATA singal cable 500mm	1	1

Ordering Information

Standard	
EP821VGGA (P/N: E38B821100)	Socket 478 EPIC SBC with VGA/LVDS LCD, 2 10/100/1000Mbps and AC'97 audio
EP821VGGA-1GE (P/N: E38B821102)	EPIC SBC with ULV Intel® Celeron® M 1GHz/ZC CPU onboard, VGA/LVDS LCD, 2 10/100/1000Mbps and AC'97 audio