

# POC-S197

## 19" Slim Point-of-Care Terminal with Intel® Core™2 Duo Processor

**NEW**



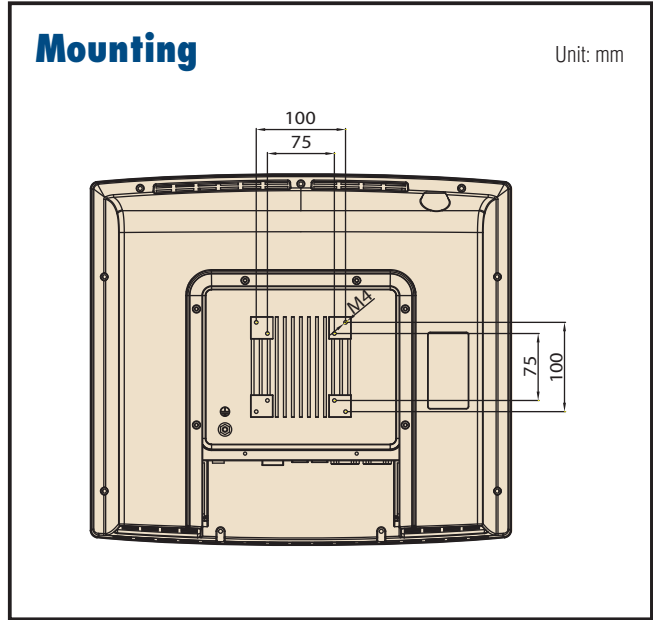
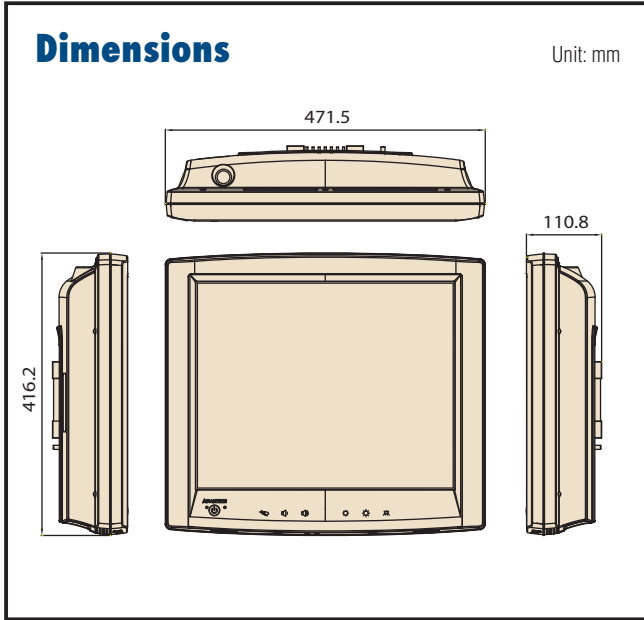
### Features

- 19" LCD display with 16.7 M colors
- Intel® Core™2 Duo (low-power) processor
- Fanless design with low audible noise
- Isolated design provides unique electric leakage protection for COM ports and LAN ports
- IPX1 enclosure with additional IP65 dust-tight front panel
- UL60601-1/EN60601-1, CCC, CE & FCC Class B certified
- Optional inner WLAN module

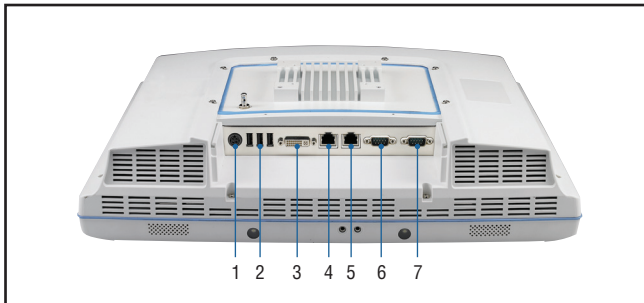


### Specifications

Computing System	Chipset	Intel GS45 Express Chipset with 82801IUX I/O Controller Hub (ICH9M-SFF)
	CPU	Intel Core 2 Duo processor SU9300 (3M Cache, 1.2 GHz, 800 MHz FSB) uFCBGA8
	Front Side Bus	800 MHz
	Memory	204-pin, DDR3, SODIMM slotsx2 (max. 4 GB), Unbuffered Non ECC
Graphics	Controller	Graphics Controller Intel GS45 integrated
Expansion Slot	Mini PCI	1 x Mini PCI slot, supports type IIIA Mini PCI
	Mini PCI-E	1 x Mini PCI-E slot
Storage	HDD	1 x 2.5" SATA device
Ethernet	Interface	2 x Gigabit Ethernet interfaces (RJ-45)
I/O Ports		2 isolated serial port: RS-232 x 1, RS-232/422/485 x 1 3 USB 2.0 ports MIC-in, Line-out 1 DVI-I video port
Speakers		2 x 1 W speakers; 1 x MIC-in and 1 x Line/Headphone Out
Display	Display Type	19" TFT LCD.
	Max. Resolution	1280 x 1024
	Max. Colors	16.7 M
	Dot Size (mm)	0.294 x 0.294
	Viewing Angle	178/178°
	Luminance	300 cd/m <sup>2</sup>
	Contrast Ratio	1300 : 1
	LCD MTBF	50,000 hours
Power Supply	Backlight Lifetime	50,000 hours
		Universal AC/DC adapter (Sinpro Model no. HPU100-107)
	Input Voltage	100 ~ 240 V <sub>AC</sub> , 47 ~ 63 Hz, 1.25 ~ 0.5 A
Optional Touchscreen	Output Voltage	+18 V <sub>DC</sub> , 5.55 A max. (100 watts)
	Type	Analog Resistive
	Light Transmission	75%
	Controller	RS-232 interface (use COM6)
Environment	Durability	30 million touches
	Temperature	0 ~ 40° C (Operating)
	Humidity	10 ~ 95% @ 40° C (non-condensing)
	Shock Resistance	20 G peak acceleration (11 ms duration)
Physical Characteristics	Dimensions (W x D x H)	471.5 x 416.2 x 110.8 mm (18.56" x 16.38" x 4.34")
	Weight	8.1 kg
	Power input	12-24V wide range DC power input (15 ~ 24 V with battery option)
	Cooling Fan Dimensions (L x W x H)	Fanless
	Entire system	IPX1 compliant
	Certification	CE, FCC Class B certified; UL60601-1, EN60601-1, CCC approved
	Mounting	VESA

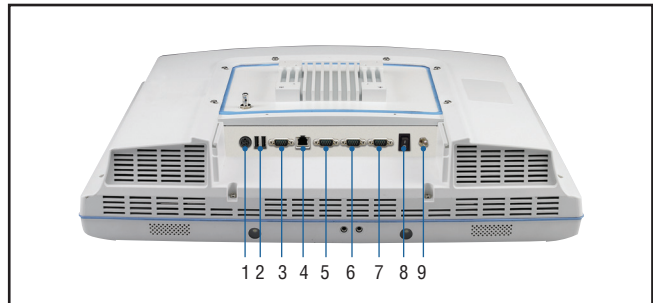


### Rear I/O (Type A)



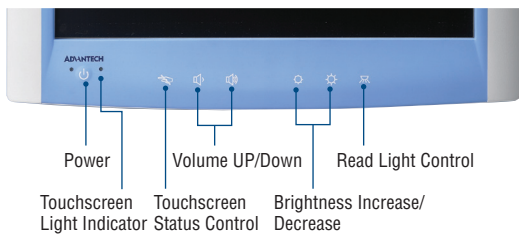
- |  |  |
|--|--|
| 1. 4-pin mini-DIN DC connector                 | 5. 10/100/1000 Mbps Ethernet interface (RJ-45) |
| 2. USB 2.0 Ports x 3                           | 6. Isolated RS-232 COM port (COM2)             |
| 3. DVI-I port                                  | 7. Isolated RS-232/422/485 COM port (COM1)     |
| 4. 10/100/1000 Mbps Ethernet interface (RJ-45) |  |

### Rear I/O (Type B)



- |                                |  |
|--------------------------------|--|
| 1. Power Connector             | 6. Isolated RS-232 Serial Port         |
| 2. USB 2.0 Ports x 2           | 7. Isolated RS-232/422/485 Serial Port |
| 3. RS-232 Serial Port          | 8. Power Switch                        |
| 4. 10/100M LAN x 1             | 9. Equipotential                       |
| 5. Isolated RS-232 Serial Port |  |

### Function Keys



### Ordering Information

Part Number	Rear I/O	Touch Panel	HDD 24 x 7	RAM
POC-S197-120-ATE	Type A	Res.TS	-	2G
POC-S197-120-BTE	Type B	Res.TS	-	2G

### Packing List

Description	Quantity
AC 100W SPS HPU100-107 W/PFC 100-240	1
User manual for POC-S197 model 1st Ed	1
Advantech 2-year warranty card	1
CD-ROM for POC-S series Driver & Utility	1
China RoHs report	1

### Accessories

Part Number	Description
1702002600	Power Cable (USA) 1.83M
1702002605	Power Cable (Europe) 1.8M
*	802.11 b/g/n wireless LAN mini-PCIe module & inner antenna

\*means this accessory will go with T Part Number. Please contact Advantech sales for more details.