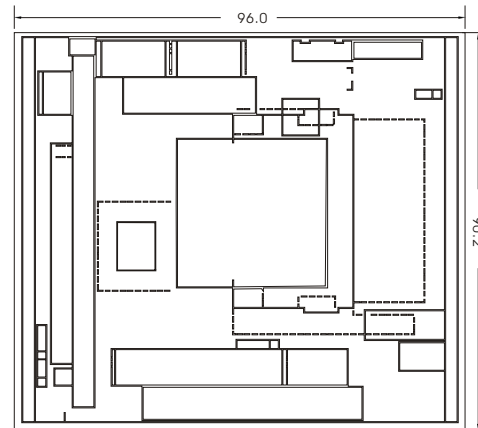
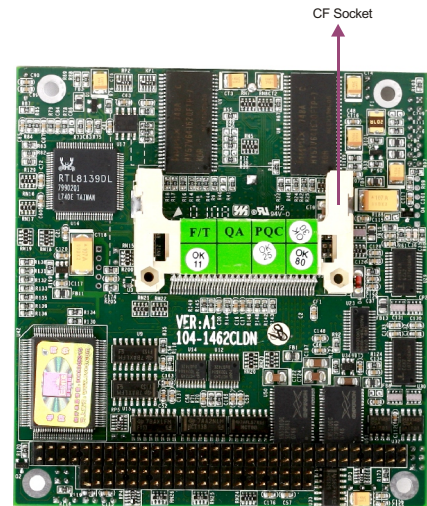
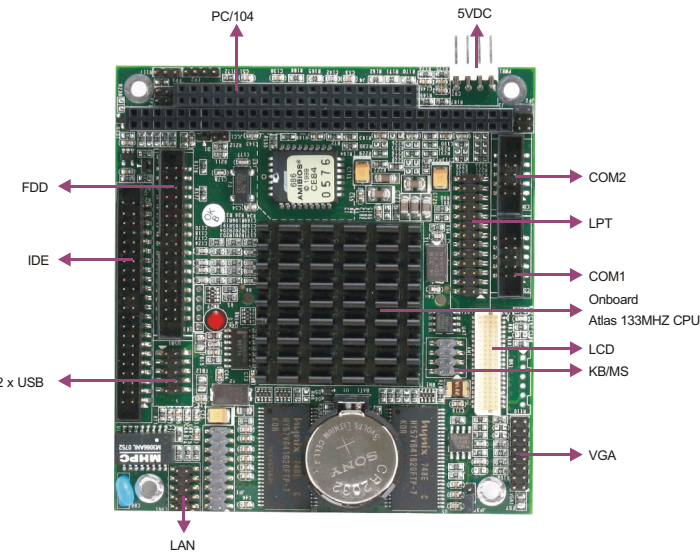


104-1462CLDN

PC/104 wide temperature 486-level SBC with STPC Atlas 133MHz CPU/Memory/LCD/VGA/SSD/LAN



Features

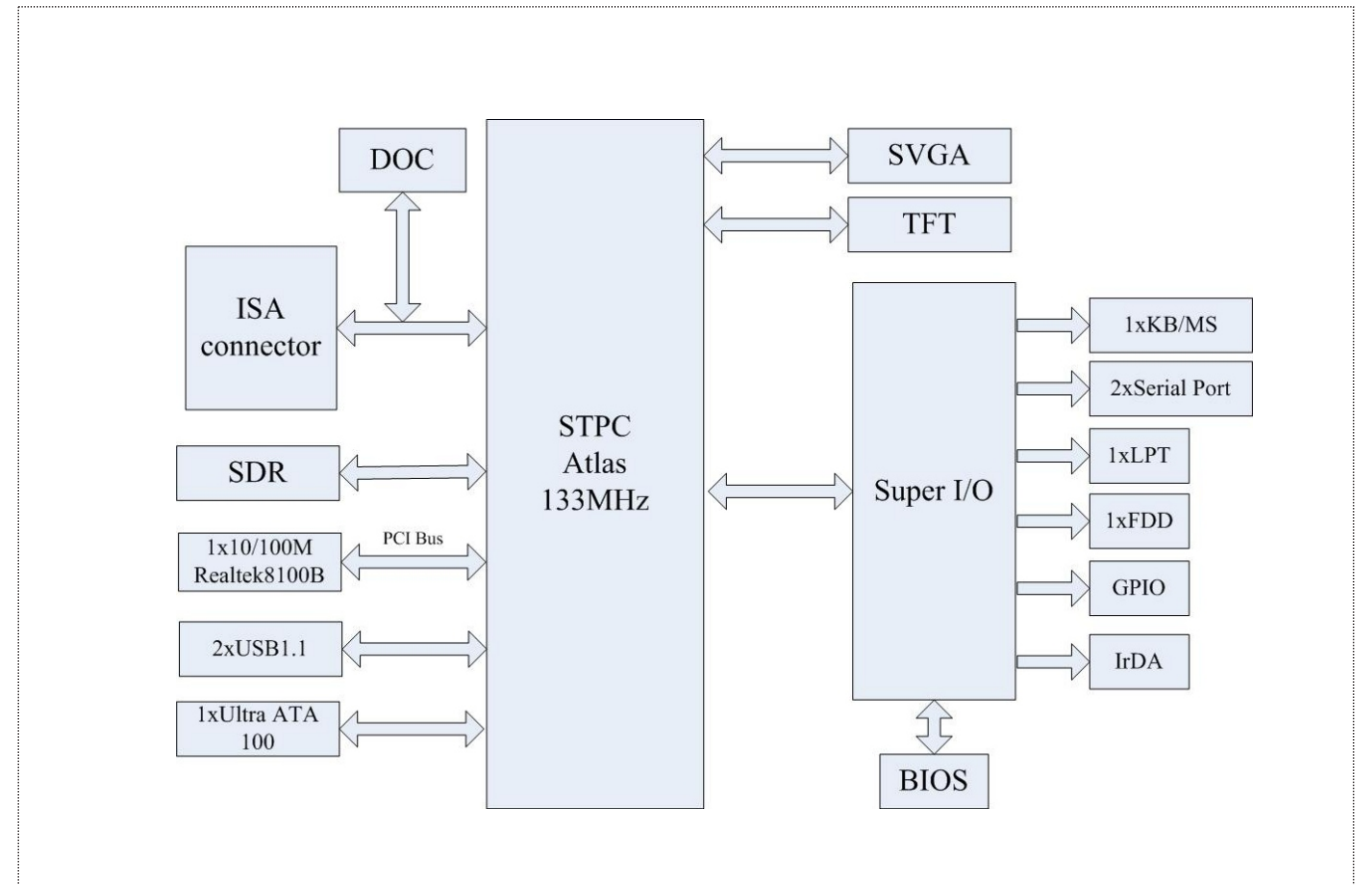
- Onboard low power STPC Atlas SoC 133MHz Processor, 2.5W
- Onboard 32M system memory, up to 128MB SDRAM
- Supports 1 x 10/100Mbps Ethernet interface
- Supports 2 x USB1.1, 2 x COM, 1 x LPT, 1 x CF, 1 x IDE, 1 x FDD, 1 x IrDA
- Supports CRT/TFT LCD synchronous output

Specifications

System	
Processor	Onboard low power STPC Atlas 133 MHz, power consumption at 2.5W, fanless design
Chipset	STPC Atlas System-on-chip
Memory	Onboard 32M system memory, up to 128MB SDRAM
Watchdog Timer	1~255 sec./min. timer system reset or interrupt, setup by software
Expansion Interface	PC/104 Bus
Storage	
IDE	1 x Ultra ATA33 interface
Serial ATA	N/A
Floppy	1 x FDD
CF	1 x CompactFlash Socket Type I/II
DOC/DOM	N/A
I/O Interface	
USB	2 x USB1.1 port, available interface of 9-pin header onboard
Serial Port	1 x RS-232, 1 x RS-232/422/485
Parallel Port	1 x LPT
IrDA	1 x IrDA(optional)
GPIO	16-channel digital input/output
Audio	N/A

Display	
Chipset	Chipset integrates graphics acceleration controller 4MB shared system memory
Memory	VGA mode up to 800 x 600@75Hz
Resolution	LCD mode up to 800 x 600@18bit
Dual Display	Supports CRT+LCD simultaneous dual display
Ethernet	
Chipset	Realtek RTL8100B
Speed	10/100Mbps
Connector	1 x LANport, available interface of 9-pin header onboard
Mechanical and Environmental	
Dimensions	96mm x 90mm
Operating Temperature	-40°C~85°C
Storage Temperature	N/A
Operating Humidity	5%-90%, non-condensing
Power	
Power Supply	Single +5V.Supports AT power supply
Power Consumption	Typical 4.4W (STPCAtlas 133Mhz, 32MBmemory)
Operating System	
Windows OS	DOS6.22/WinNT4.0/Linux
Embedded OS	WinCE 4.0

Board Diagram



Available Accessories

Part Number	Name	Description	Qty.
2330-000011	Jumper/RoHS	2.0mm pitch	2
2360-000441	LAN cable/RoHS	8-pin connector (2.0mm pitch) to RJ-45 connector, length: 190mm/RoHS	1
2360-000671	VGA cable/RoHS	16-pin connector (2.0mm pitch) to DB15P/L, length: 300mm/RoHS	1
2360-006151	Y-cable for keyboard and mouse/RoHS	8-pin connector (2.0mm pitch) to PS/2 port connector, length: 300mm/RoHS	1
2360-009451	FDD flat cable/RoHS	34-pin connector (2.0mm pitch), length: 455mm/RoHS	1
2360-009641	HDD flat cable/RoHS	44-pin connector to 44-pin connector, length: 200mm	1
2360-011221	Parallel port cable/RoHS	26-pin connector (2.0mm pitch) to DB25 connector, length: 300mm/RoHS	1
2360-011231	Serial port cable/RoHS	10-pin connector (2.0mm pitch) to DB9 connector, length: 300mm/RoHS	2
2391-002141	Nut/RoHS	M3/GB-T6170-1986/nickel plating	4
2391-004631	Copper hex bolts/RoHS	M3x25-4/CH-M3-25-4-Ni	4
—	Setup Guide/RoHS	AMI/BIOS Setup Guide (for CORE7)	1
—	Driver CD/Protective film/RoHS	104-1462CLDN	1
—	User's Manual/RoHS	104-1462CLDN	1

Related Product

Item	Typical Recommendation
PC/104 Expansion card	104-1462CLDN+104-P4COM

Ordering Information

Part Number	Model Number	Description
0030-005931	104-1462CLDN RoHS	Motherboard/RoHS
0030-004231	104-1462CLDN RoHS/Conformal coating	Motherboard/RoHS/Conformal coating
0030-000830	104-1462CLDN/Long pin	Motherboard/RoHS/long pin

1

Full-Size/Half-Size Slot CPU Cards

2

SBC/Motherboard/Modules

3

Embedded Box PC

4

Network Application Computers

5

Industrial PC

6

HMI

7

EVOG Rugged Series

8

MCC Series

9

Chassis

10

Data Acquisition Boards & Modules

11

Accessories

1

Full-Size/Half-Size Slot CPU Cards

2

SBC/Motherboard/Modules

3

Embedded Box PC

4

Network Application Computers

5

Industrial PC

6

HMI

7

EVOG Rugged Series

8

MCC Series

9

Chassis

10

Data Acquisition Boards & Modules

11

Accessories