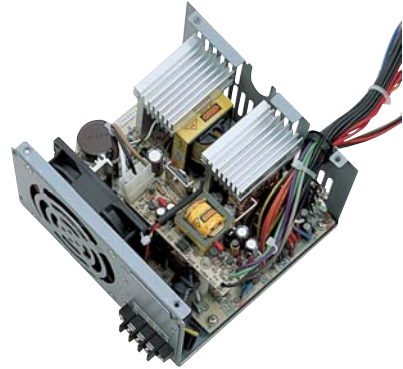
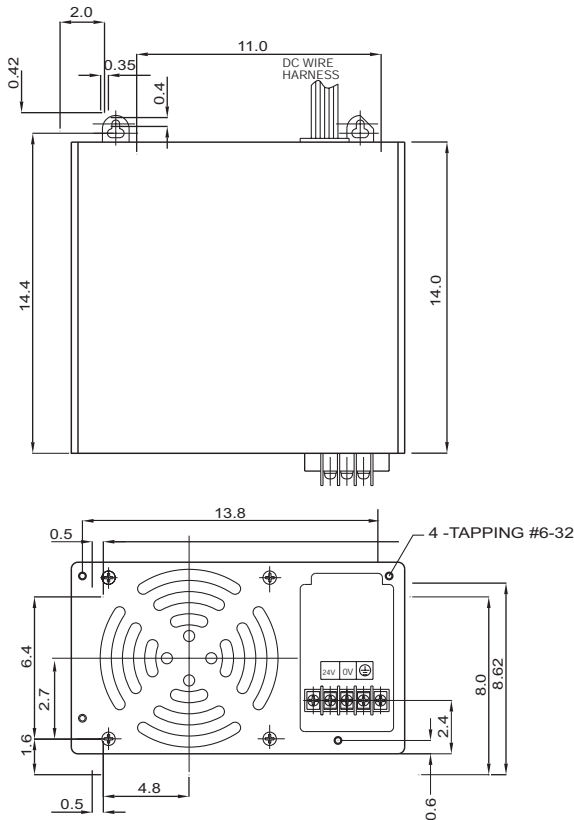


# Power Supply

## BPW-830V

300W DC-DC ATX Power Supply  
Input Range: -40~-72VDC



### ★ Specifications

- \* **Input Voltage:** -40~-72VDC
- \* **Input Current:** Max. 10A at 48VDC
- \* **Inrush Current:** < 10A at 48VDC input, cold start at 25°C
- \* **Ripple and Noise:** Peak to peak ripple and noise is < 50mV for +5V and +3.3V outputs, < 100mV for other outputs when output voltage is at rated load
- \* **Line Regulation:** < +/-1% for each output measured at rated load and -40~-72VDC input voltage variables
- \* **Load Regulation:** Output voltage load regulation is less than the value on the table when each output load changes rated loads from +/-40%~60%, with all other outputs at 60% rated load
- \* **Output Power:** Total DC continuous power is within 300W at < 40°C ambient temperature and -48VDC input voltage; max. total combined output power on +3.3V and +5V rails is 150W
- \* **Efficiency:** 65% typical at nominal line and rated load
- \* **Altitude:** 10,000 feet
- \* **Protection:**  
Input: Protection against wrong polarity when -48VDC input is inversely connected by mistake  
Output: Built-in over voltage protection circuit. Trip point of crowbar circuit is between 5.9~7.0V. Hiccup mode against short circuit or over load conditions auto recovery when faulty conditions are removed
- \* **Temperature:** 0~70°C (operating); -40~+75°C (storage)
- \* **Humidity:** 5~95%, non-condensing at 40°C (operating)
- \* **Connectors:**  
Input: Three positions terminal block  
DC Output: Output provides one AT type P8/P9 and two disk drive connector
- \* **Dimensions:** 14.0 x 15.0 x 8.62 cm with +/-0.8mm and +/-0.4mm tolerance between mounting holes
- \* **MTBF:** 135,584 hrs.

Pin	Input	Pin	Output
1	-48VDC	Red	+5V
2	0V	Yellow	+12V
3	GND	Brown	-12V
		Grey	P.G.
		Black	GND
		White	-5V
		Orange	+3.3V
		Purple	+5Vsb
		Green	PWR ON

Output	Min. Load	Rated Load	Max. Load	Tolerance
+5V	2A	25A	30A	+/-0.2V
+12V	0.1A	10A	15A	+/-0.6V
-12V	0A	1A	2A	+/-0.6V
-5V	0A	1A	2A	+/-0.25V
+3.3V	0A	8A	15A	+/-0.135V
+5Vsb	0A	0.72A	1.2A	+/-0.25V

### Safety Standards

- \* **Safety:** UL 1950, CSA 22.2 No.234, VDE EN 60 950
- \* **EMI:** FCC Class B, EN55022B
- \* **EMS:** Level 3 of IEC-801, 802, 803, 804

The Industrial PC Authority



## BOSER Technology Co., Ltd.

15F-6, No. 77, Hsin Tai Wu Road, Sec. 1, Hsichih, Taipei Hsien 221 Taiwan TEL : 886-2-26983333 FAX : 886-2-26983300  
<http://www.boser.com.tw> <http://www.isb.com.tw> <http://www.ipc.com.tw> E-Mail: [webmaster@boser.com.tw](mailto:webmaster@boser.com.tw)

<b>U.S.A.</b> TEL : +1 650 4280868 FAX : +1 650 4281172	<b>U.K.</b> TEL : +44 1543 486552 FAX : +44 1543 486553	<b>KOREA</b> TEL : +82 2 34737862 FAX : +82 2 34743120	<b>FRANCE</b> TEL : +33 1 69061790 FAX : +33 1 69433732	<b>SHANGHAI</b> TEL : 021 63676295-7 FAX : 021 63676286
<b>GERMANY</b> TEL : +49 221 954790 FAX : +49 221 9547988	<b>ITALY</b> TEL : +39 051 452042 FAX : +39 051 455046	<b>ISRAEL</b> TEL : +972 3 9203456 FAX : +972 3 9203535	<b>FINLAND</b> TEL : +358 2 6203753 FAX : +358 2 6203770	