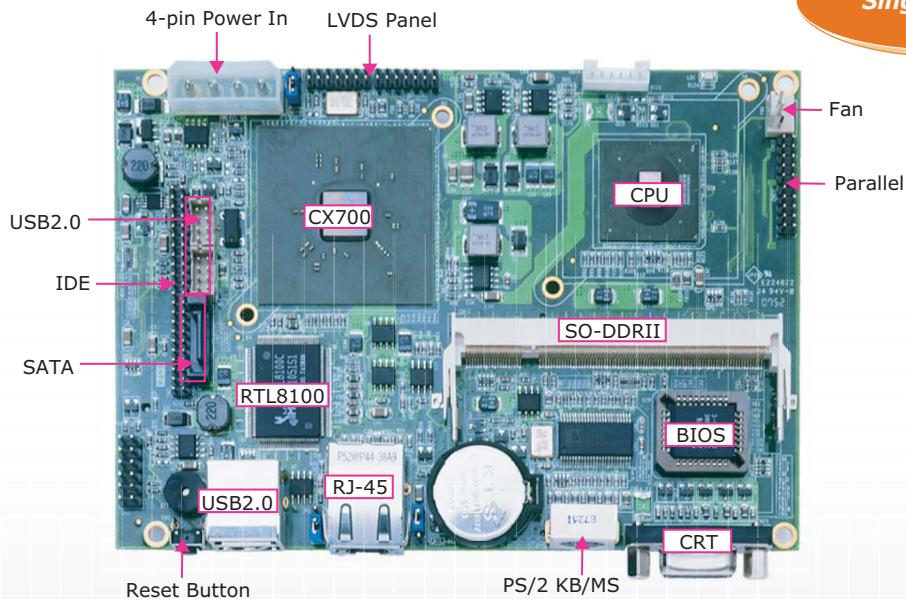


HS-2619

VIA C7 or ULV VIA V4 Eden processor Embedded Engine Board with CF, CRT/LVDS, Dual LAN, Audio, SATA, 6 USB2.0

Single Board Computer

3.5" Embedded Engine Board



Single +5V !!

- CompactFlash
- ATA/33/66/100
- H/W Monitor
- CRT/LVDS
- RS-232/422/485
- LAN
- 2 COM
- Audio
- 6 USB2.0
- SATA
- WDT

FEATURES

- ▶ VIA C7 or ULV VIA V4 Eden processor 600MHz~2.0GHz
- ▶ One SO-DDRII socket with a max. capacity of 1GB
- ▶ VIA CX700 chipset
- ▶ Winbond W83627HG super I/O chipset
- ▶ VIA CX700 graphics controller
- ▶ 24-bit/48-bit LVDS Panel display interface
- ▶ RealTek RTL8100 Ethernet controller
- ▶ VIA AC97 3D audio controller
- ▶ VIA CX700 Serial ATA controller
- ▶ Fast PCI ATA/33/66/100 IDE controller
- ▶ CF, 2 COM, 6 USB2.0
- ▶ Single +5V power in
- ▶ Hardware Monitor function

ORDERING GUIDE

- ▶ **HS-2619**
C7 1GHz SBC w/CF, CRT/LVDS, LAN, Audio, SATA, 4C/485, 4 USB2.0

SPECIFICATIONS

- ***CPU:**
ULV VIA V4 Eden processor 600MHz/800MHz/1.0GHz
VIA C7 processor 1.0~2.0GHz
- ***Front Side Bus:** 400MHz FSB
- ***Memory:** One SO-DDRII socket supports up to 1GB
- ***Chipset:** VIA CX700
- ***I/O Chipset:** Winbond W83627HG
- ***CompactFlash:** One, Type I/II IDE interface adapter
- ***VGA:** VIA CX700 with 32/64/128MB shared main memory supports CRT display up to 2048 x 1536
- ***LVDS Panel:** Supports 24-bit single/48-bit dual channel LVDS interface up to 1600 x 1200
- ***Ethernet:** Dual RealTek RTL8100 10/100 Based LAN
- ***Audio:** VIA AC97 3D audio controller
- ***Serial ATA:** VIA CX700 controller and with 1 port
- ***IDE:** One 2.0-pitch 44-pin IDE connector
- ***Parallel:** One enhanced bi-direction parallel port supports SPP/ECP/EPP
- ***Serial Port:** 16C550 UART-compatible RS-232/422/485 x 1 and RS-232 x 1 serial ports with 16-byte FIFO
- ***USB:** 6 USB2.0 ports, internal x 2 and external x 4
- ***Keyboard/Mouse:** PS/2 6-pin Mini DIN
- ***BIOS:** Award PnP Flash BIOS
- ***Watchdog Timer:** Software programmable time-out intervals from 1~255 sec.
- ***CMOS:** Battery backup
- ***Power In:** single +5V power in
- ***Temperature:** 0~+60°C (operating)
- ***Hardware Monitor:** Winbond W83627HG
- ***Dimensions:** 14.5(L) x 10.2(W) cm