

# OFC

## Open Frame Computer

**OFC-7615/7617/7619**

## High Performance Open Frame Computer

### Features and Benefits:

- Support Intel® Core™ Duo / Core™ solo / Core™ 2 Duo / Celeron® M processor
- Supports Intel® 945GME + ICH7R Chipset
- On-board IDE interface, Type II Compact Flash slot
- Optional slim SATA CD-ROM drive
- Optional PCI slot (2 slots)



### Protech Systems Co., Ltd.

No. 24, Lane 365, Yang Goang Street, Nei Hu District Taipei 114, Taiwan  
TEL: +886-2-8751-1111 FAX: +886-2-8751-1199  
E-mail: sales@protech.com.tw  
<http://www.protech.com.tw>

### Protech Technologies Inc.

950 Fee Ana St, Suite B Placentia, CA 92870  
TEL: +1-714-996-7200 FAX: +1-714-996-7300  
Sales: sales@protech-usa.net  
<http://www.protech-usa.net>

### Protech Japan Co., Ltd.

OSK Bldg, 6F, 6-25-14, Minami-ohi Shinagawa-ku, Tokyo, 140-0013  
TEL: +81-3-5753-8411 FAX: +81-3-3763-9282  
E-mail: sam@protech-j.com  
<http://www.protech-j.com>

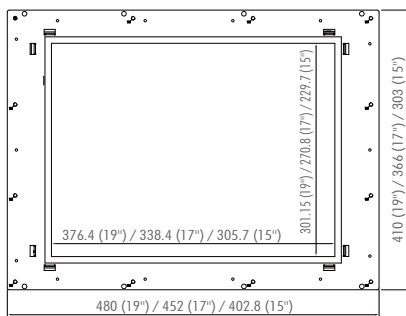


**ISO CERTIFIED**  
**9001 | 14001**

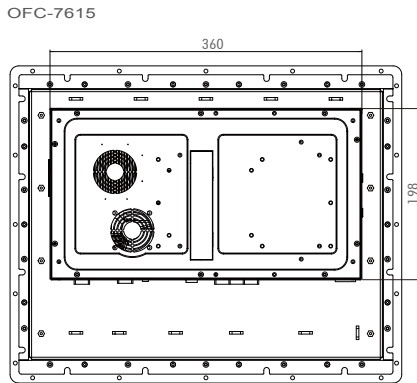
# OFC-7615 / OFC-7617 / OFC-7619

High Performance Open Frame Computer

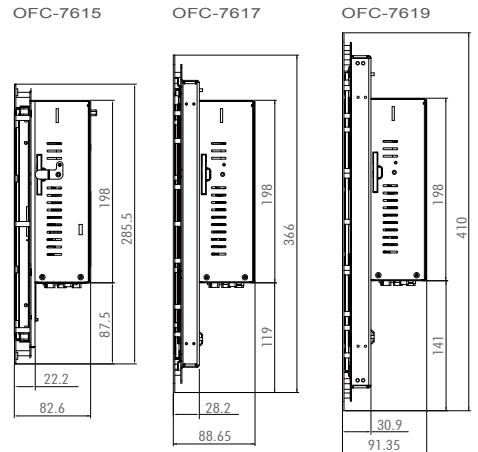
Front View



Rear View



Side View



Unit: mm

## Specification

### Systems

|                              |   |
|------------------------------|---|
| <b>CPU Support</b>           | Intel® Core™ Duo/ Core Solo / Core 2 Duo / Celeron M processor              |
| <b>Chipset</b>               | Intel® 945GME + ICH7R + FWH (FSB: 533/667MHz)                               |
| <b>Memory Support</b>        | 2 x 200-pin DDR2 SO-DIMM  |
| <b>Max. System Memory</b>    | 4GB   |
| <b>Front Bezel</b>           | Stainless Steel   |
| <b>Waterproof Level</b>      | IP65  |
| <b>Sound</b>                 | AC'97 Codec   |
| <b>Power Supply</b>          | AC ATX 180W power supply  |
| <b>Wall Mount Type</b>       | VESA standard   |
| <b>Dimension (W x H x D)</b> | 15": 402 x 300 x 82mm<br>17": 452 x 366 x 88.6mm<br>19": 480 x 410 x 91.5mm |
| <b>System Weight</b>         | 15": 5.3 Kg / 17": 7.1Kg / 19": 9.5 Kg                                      |
| <b>Certificate</b>           | CE / FCC  |

### I/O Ports

|                    |   |
|--------------------|---|
| <b>USB</b>         | 4 x USB2.0  |
| <b>KB / Mouse</b>  | 2 x PS/2 Port   |
| <b>Audio</b>       | 1 x Line in, 1 x Line out, 1 x MIC in   |
| <b>Serial Port</b> | 4 x COM port (all COM ports support +5V or +12V ), COM 2 for RS232 / 422 / 485 selectable |
| <b>LAN</b>         | 1 x LAN (10/100/1000 Mbps)  |
| <b>VGA</b>         | 1 x VGA   |

### Drive Bays

2 x 2.5" SATA HDD, 1 x IDE CF slot on board, 1 x Slim CD-ROM

### Expansion Slots

2 x PCI slots (optional)

### Display

|                                 |   |
|---------------------------------|---|
| <b>LCD</b>                      | 15" (XGA) / 17" (SXGA) / 19" (SXGA)                             |
| <b>Touch Screen</b>             | 5W Analog resistive (USB interface)                             |
| <b>Max. Resolution</b>          | 1024 x 768 (15") / 1280 x 1024 (17", 19")                       |
| <b>Pixel Pitch</b>              | 0.297 x 0.297 (15") / 0.264 x 0.264 (17") / 0.294 x 0.294 (19") |
| <b>Brightness</b>               | 350 cd/m <sup>2</sup> (15") / 300 cd/m <sup>2</sup> (17", 19")  |
| <b>Response Time ( Tr + Td)</b> | 15": 16 ms / 17": 12 ms / 19": 20 ms                            |

### Environment

|                        |             |
|------------------------|-------------|
| <b>Operating Temp.</b> | 0° ~ 40°C   |
| <b>Storage Temp.</b>   | -20° ~ 60°C |
| <b>Humidity</b>        | 20% ~ 90%   |

### Ordering Information

|  |   |
|--|---|
| <b>OFC-7615</b>                                    | Open Frame, Intel® Core Duo / Core solo / Core 2 Duo / Celeron® M CPU + 945GME + ICH7R , w/AUO 15" 1024 x 768 LCD / 5-Wire ELO Touch  |
| <b>OFC-7617</b>                                    | Open Frame, Intel® Core Duo / Core solo / Core 2 Duo / Celeron® M CPU + 945GME + ICH7R , w/AUO 15" 1280 x 1024 LCD / 5-Wire ELO Touch |
| <b>OFC-7619</b>                                    | Open Frame, Intel® Core Duo / Core solo / Core 2 Duo / Celeron® M CPU + 945GME + ICH7R , w/AUO 15" 1280 x 1024 LCD / 5-Wire ELO Touch |
| <b>PPC7915-WirelessLan-KIT</b> Wireless LAN module |   |

All of trademarks and brand names are the property of their owners. Trademark "Protech" is the property of Protech Systems Co., Ltd. All information contained in this document is subject to change without any prior notice. This catalog is copyrighted in July 2010.