

FEATURE SUMMARY

- 4 port 10/100 Ethernet
- 32-bit, 33MHz PCI interface, PCI 2.2 compliant
- Intel[®] 82559ER Ethernet interface chip
- IEEE 802.3 10Base-T and 100Base-TX
- Shielded RJ45 jacks with status LED's
- ± 5V powered
- Wake-On-LAN (WON), port 4 (optional)
- BIOS extension Flash, port 1 (optional)
- Supports Redhat Linux 6.2 or above, Windows NT 4.0 and Windows 2000

The EBN-1400 four port 10/100 Ethernet card is designed for long life. It incorporates four Intel[®] 82559ER Ethernet controllers. The 82559ER integrated the MAC and PHY into a single chip for higher board integration and lower costs. Additional features of the 82559ER include, 256 byte configuration EEPROM and Wake-On-Link-Status.

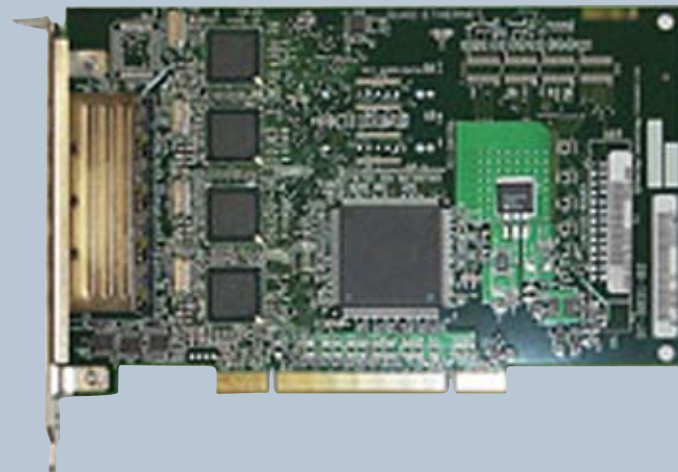
The EBN-1400 has an on-board PCI-PCI bridge allowing it to plug into standard motherboards or passive backplane systems without loading the PCI bus. Each Ethernet port comes with two status LED indicators; one for Link and one for speed. A header is provided for all indicators to allow for front panel mounting of external LED's. In addition, the RJ45 connectors are shielded for EMC protection. The PCI interface is keyed for Universal Signaling and requires +5 volt power only.

Additional pin compatible Ethernet controllers such as the 82559 and the 82551 may optionally be used. This allows additional features. Both controllers support Wake-On-LAN (WON) on port 4 via Link Status and Magic Packet. The WON feature requires

+3.3AUX on the PCI slot or an external +5 con-connector. SMBus for system management is also supported.

The SMBus must be accessible via the PCI slot. SMBCLK and SMBDAT are supported, however, SMBALERT# is not. An optional BIOS expansion Flash is available on port 1 for OEM customization.

Supported operating systems include RedHat Linux* 6.2 or higher, Windows NT* 4.0 and Windows* 2000.



SPECIFICATIONS

FEATURE	FUNCTION	DESCRIPTION
---------	----------	-------------

Physical	Dimensions Compliance	Half length card PICMG 2.2
Ethernet	Interface Controller Power	32-bit, 33MHz Intel® 21152 PCI-PCI bridge +5V only (requires +3.3V AUX on PCI bus or +5V on WON header)
Rear I/O	Ethernet	Quad 10/100BaseTX Intel® 82559ER (optional 82559 and 82551)
Operating System	Compatibility	RedHat Linux 6.2 or above, Windows NT 4.0, Windows 2000
Wake-On-LAN	Link Status Magic Packet	Supported by 82559ER Supported by 82559ER, 82559 and 82551
Misc	BIOS	64KB or 128KB Flash
Environment	Temperature Humidity	Operating 0° C to 50° C Non-Operating -20° C to 60° C 5% to 95% RHNC 5% to 80% RHNC
Regulatory	Safety EMC	Evaluated in accordance with: UL 60950, EN 60950, and IEC 60950 Evaluated in accordance with: EN 55022, EN 55024, and FCC Part 15, Class B CISPR 22, Class BCE Mark
Warranty		Two years, parts only

ORDERING INFORMATION

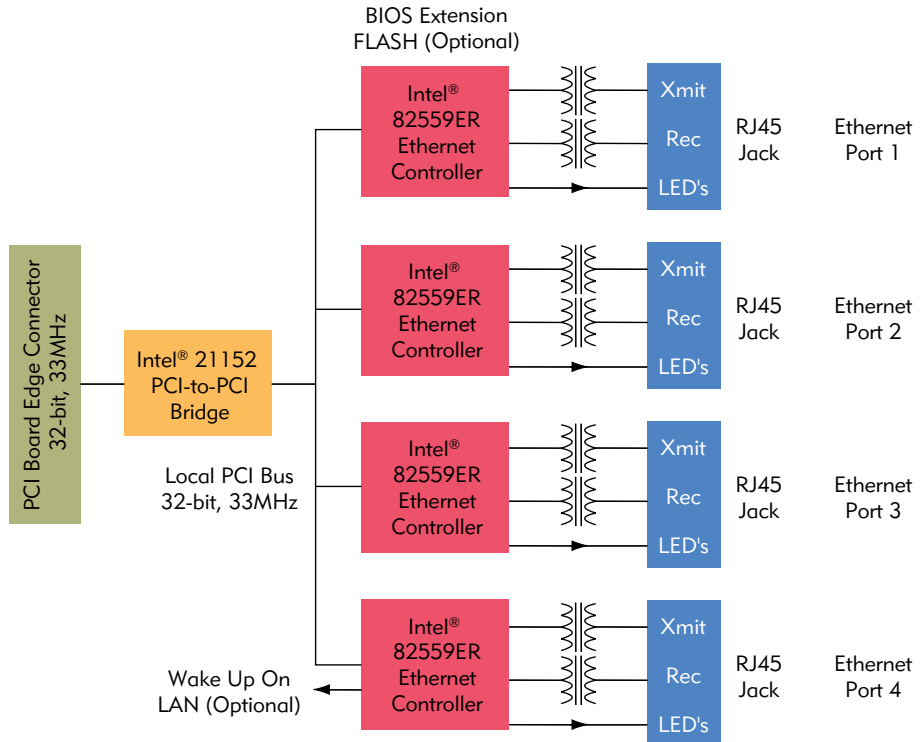
Call for pricing and availability.
Refer to the order codes below.

DESCRIPTION:

PCI-ETH-4P
EBN-1400 4 port 10/100 Ethernet,
PCI Intel® 8559ER

OPTIONS

Intel® 82559 and 82551



RadiSys
THE POWER OF WE

RadiSys Corporation
5445 NE Dawson Creek Drive
Hillsboro, OR 97124 USA
Phone: 503-615-1100
Fax: 503-615-1121
Toll-Free: 800-950-0044
www.radisys.com
info@radisys.com

©2005 RadiSys Corporation. RadiSys and EPC are registered trademarks of RadiSys Corporation. SPIRIT is a trademark of RadiSys Corporation. *All other trademarks are the properties of their respective owners. All specifications within this document are subject to change without notice. 07-1238-02 1005