

ACE-818APM

180W Medical ATX Power Supply



Designed for Medical Appliance Product!!



Features

- ◆ Short circuit, overload, over voltage protected
- ◆ Built-in ball bearing cooling fan
- ◆ Low leakage current
- ◆ Low ripple and noise
- ◆ Active PFC, complies with EN-61000-3-2

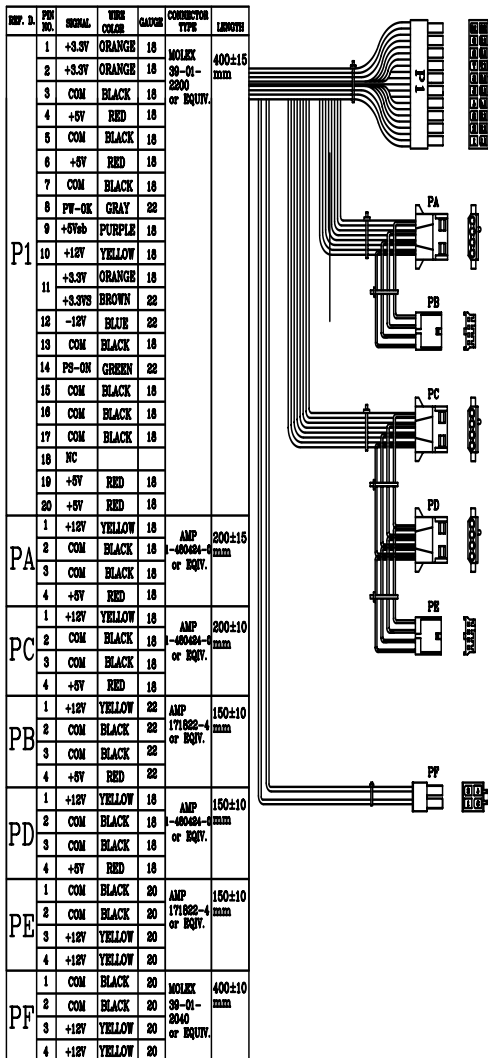
SPECIFICATIONS



- ◆ Input : 90V~264V AC Full Range
- ◆ Output Rating

Output	Nominal	Regulation	Ripple/Noise	MIN	MAX
1	+3.3V	-5% to +5%	50mV	0.3A	16,8A
2	+5V	-5% to +5%	80mV	0.5A	12A
3	+12V	-5% to +5%	120mV	1.5A	12A
4	-12V	-10% to +10%	120mV	-	0,8A
5	+5Vsb	-5% to +5%	50mV	-	2A

Dimensions



The output of +3.3V and +5V shall not exceed 61W
+3.3V, +5V and +12V total output power maximum is 165W

- ◆ Efficiency: 68%
- ◆ Hold-up Time: 17ms
- ◆ Protection: Over Voltage/Load Protection and Short Circuit Protection
- ◆ TTL signal compatible power good signal
- ◆ Leakage current: Less than 300µA at 264V AC
- ◆ Built-in cooling fan
- ◆ MTBF: 100,000 hrs at 25°C
- ◆ Safety: UL 2601-1 , VDE EN 60601-1, meets CE
- ◆ EMC:
 - EN 61000-4-2 4KV contact ; 8KV air discharge criterion B
 - EN 61000-4-3 10V/M with 80% AM criterion A
 - EN 61000-4-4 2KV criterion B
 - EN 61000-4-5 Line to Line 1KV ; Line to ground 2KV criterion B
 - EN 61000-4-6 10V with 80% AM criterion A
 - EN 61000-4-8 30A/m criterion A
 - EN 61000-4-11 30% dips 10ms, criterion B
60% dips 100ms, criterion C
>95% dips 5000ms, criterion C
- ◆ EMI: FCC parts 18 class "C" 120Vac operation
EN 60601-1-2, EN 55011, 230Vac operation
Active PFC, complies with EN-61000-3-2
- ◆ Operating temperature: 0~50°C
- ◆ Storage temperature: -20~80°C
- ◆ Vibration: 10~55Hz at 2G 3min. period 30min .along X, Y, Z axis.
- ◆ Shock: 10G for 11ms once on each x, y, and z axis
- ◆ Dimension: 81(W) x 41(H) x 190(D)mm

ORDERING INFORMATION

- ACE-818APM 180W ATX Medical Power Supply with PFC Function