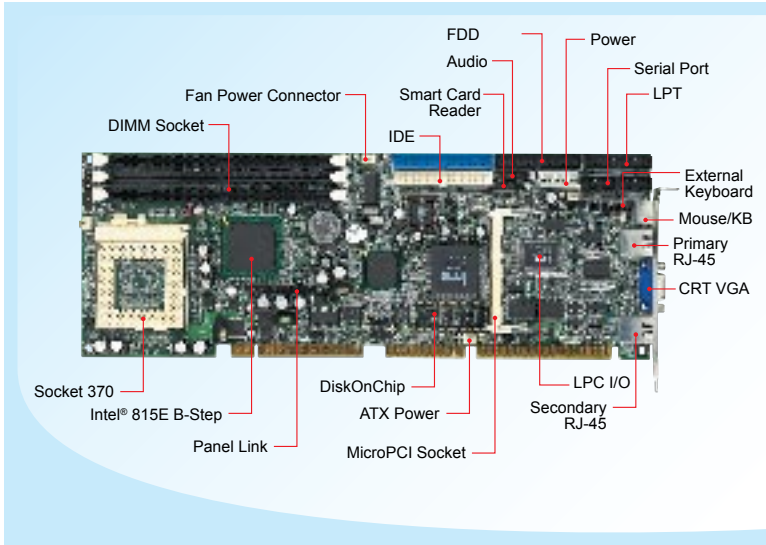


# CPU Cards

## IB745

Socket 370 Full-Size CPU Card w/ Intel® 815E Chipset

Pentium® III-Based



### >> Features

- Supports Pentium® III / Celeron® processors  
Up to 1.4GHz, 66/100/133MHz FSB
- SDR DIMM x 3, Max. 512MB
- Chipset integrated VGA, shared memory
- ICH2 integrated 10/100 BaseT Ethernet
- 4 x USB 1.1, ISA High Drive, Watchdog timer
- DiskOnChip®, 1 x MicroPCI socket

## System

CPU	Socket 370 for Pentium® III / Celeron®, up to 1.4GHz
System Memory	SDR DIMM x 3, Max. 512MB
System Chipset	Intel® 815E, 66/100/133MHz FSB
BIOS	Award
Watchdog Timer	256 levels
SSD	DiskOnChip®
H/W Monitor	Yes
Expansion Slot	One MicroPCI socket

## Graphics

VGA Controller	GMCH VGA for CRT
VGA Memory	Shared memory; Max. 32MB 4MB display cache (optional)
LCD Interface	via optional MicroPCI card, optional TMDS

## Ethernet

LAN Controller	ICH2 integrated LAN, 10/100Mbps Optional 2nd LAN via MicroPCI
Connector	2 RJ-45 on board

## Multi I/O

Chipset	ITE8712 2x IDE (UDMA33/66/100), 1x FDD, 1x KB, 1x Mouse, 1x RS-232, 1x RS-232/422/485, 1x LPT
USB	Pin header for 4 ports (USB 1.1)
Audio	Optional AC97
Others	IrDA

## Mechanical and Environmental

Dimensions	338mm x 122mm (13.31" x 4.8")
Max. Power Requirement	+5V: 15A +/- 12V: 200mA
Operating Temperature	0°C~60°C (32°F~140°F)
Storage Temperature	-20°C~80°C (-68°F~176°F)
Relative Humidity	10%~90% (non-condensing)

## Ordering Information

IB745	Socket 370 Full-Size Intel® 815EB CPU card w/ VGA and Ethernet * (Non RoHS compliant)
-------	---

Remarks:

\* Optional MicroPCI interface cards are available.