



### Features

- Low power AMD Geode™ GX466 or GX533
- Display support for VGA and TFT LVDS
- Intel® 82551ER LAN with TCP/UDP/IP checksum offloading
- CompactFlash® socket onboard
- Optional 128/256 MB DDR soldered onboard
- Serial Console, EEPROM CMOS backup, USB boot legacy

### Specifications

#### Core System

CPU	AMD Geode™ GX 533 @ 1.1W soldered onboard AMD Geode™ GX 466 @ 0.9W soldered onboard
Memory	One 200-pin socket SO-DIMM DDR266 Optional 128/256 MB soldered onboard DDR266 memory Combined total memory up to 512 MB
Chipset	AMD Geode™ CS5535 companion device
BIOS	Phoenix® AWARD 2 Mb Flash BIOS with ACPI and APM 1.2 power management with console redirection and CMOS backup in onboard EEPROM
Hardware Monitor	Supply voltages and CPU temperature
Watchdog Timer	255-level timer generates system reset
Expansion Busses	16-bit ISA and 32-bit PCI rev. 2.2

#### Video

Chipset	Integrated in AMD Geode™ GX533/466, with up to 16 MB UMA Video RAM
CRT Interface	1600 x 1200 x 16-bit and 1280 x 1024 x 24-bit @ 85 Hz
LVDS Interface	18-bit TFT supports resolutions up to 1280 x 1024 x 24-bit at 60 Hz

#### Audio

Chipset	Integrated on CS5535
Audio Codec	AC'97 Realtek ALC203 codec

#### LAN

Chipset	Intel® 82551ER
Interface	10BASE-T/100BASE-TX with TCP/UDP/IP checksum off-loading

#### Multi I/O

PATA (IDE)	One port for up to two ATAPI devices with UDMA support CompactFlash® socket onboard
USB	Up to four ports USB 1.1
Serial	Two high speed RS-232C
LPT/FDD	Shared
Keyboard & Mouse	One PS/2 keyboard and one PS/2 mouse

#### Power Specifications

Input Power	AT mode (5 V only) and ATX mode (5 V and 5 Vsb)
Power States	S0, S1, S4, S5
Power Consumption	5 W typical (with GX466 and 128 MB soldered DDR memory)

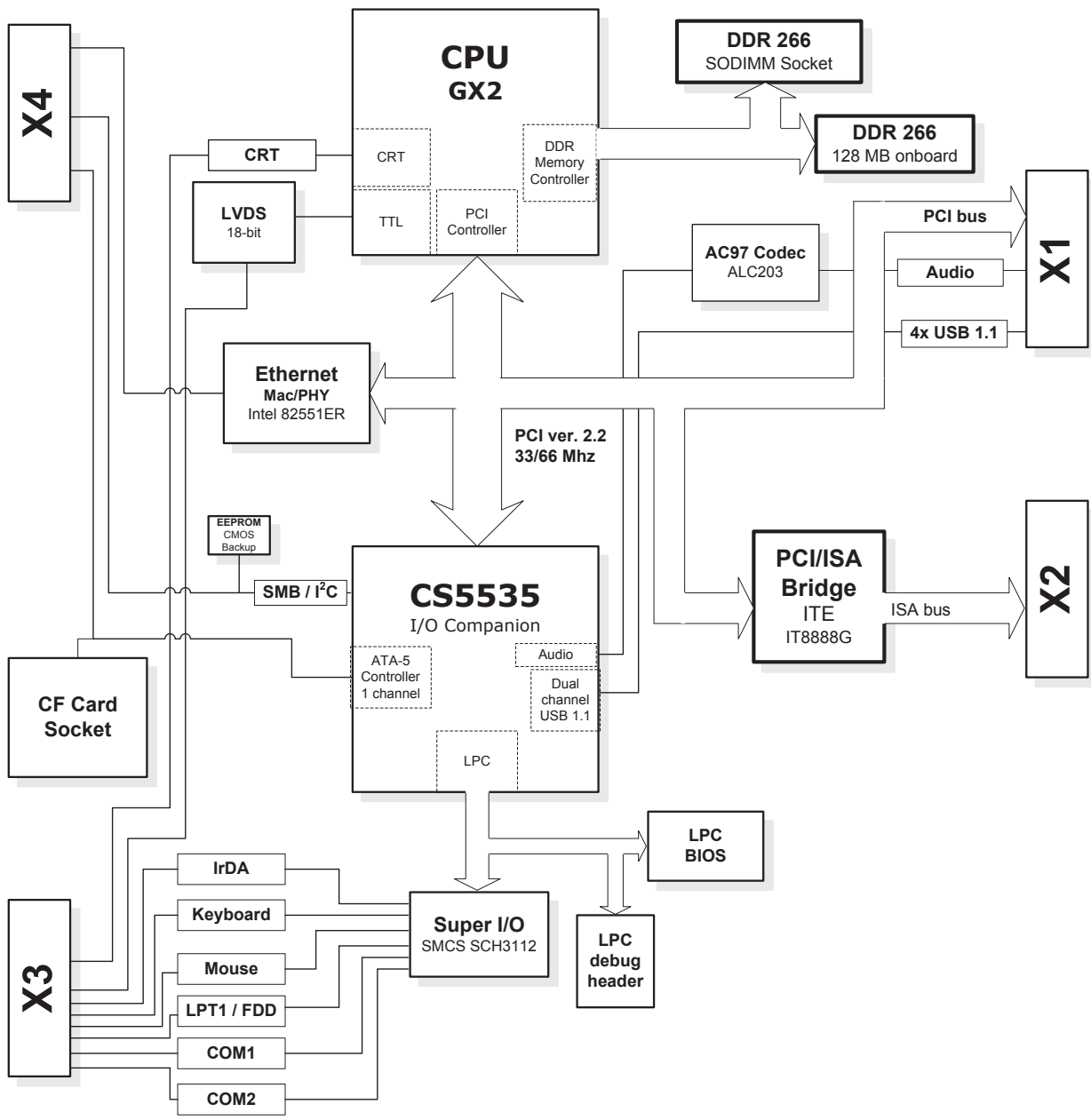
#### Mechanical and Environmental

Operating Temp.	0° to 60°C
Storage Temp.	-20°C to 80°C
Humidity	5% to 90% Non-condensing
Shock	15G peak-to-peak, 11ms duration, non-operation
Vibration	Non-operation: 1.88 Grms, 5-500 Hz, each axis Operation: 0.5 Grms, 5-500 Hz, each axis
Form Factor	ETX® rev 2.7, size 95 mm x 114 mm
Certifications	CE, FCC

#### Operating Systems

Standard Support	Windows® XP 32-bit
	Windows® NT 2K
	Linux® 2.6.x
Extended Support	Embedded XP BSP
	Windows® CE 5.0 BSP
	Linux® 2.6.x BSP
	Vxworks 5.5 BSP

## Functional Diagram



## Ordering Information

### Modules

Model Number	Description/Configuration
ETX-GX2-466/0	ETX® module with AMD Geode™ GX466
ETX-GX2-466/128	ETX® module with AMD Geode™ GX466 and 128 MB DDR memory soldered
ETX-GX2-466/256	ETX® module with AMD Geode™ GX466 and 256 MB DDR memory soldered
ETX-GX2-533/0	ETX® module with AMD Geode™ GX533
ETX-GX2-533/128	ETX® module with AMD Geode™ GX533 and 128 MB DDR memory soldered
ETX-GX2-533/256	ETX® module with AMD Geode™ GX533 and 256 MB DDR memory soldered

### Accessories

Model Number	Description/Configuration
<b>Heat Spreader</b>	
HTS-GX2	Heatspreader for ETX-GX2 with threaded standoffs