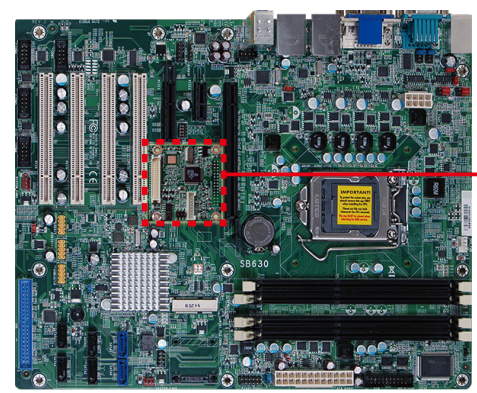


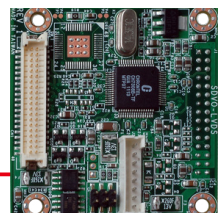
SB630-CRM + SDVO-LVDS



Features

- CHIPSET** Intel® Q67 PCH
- CPU** Intel® Core™ i7/i5/i3
Intel® Pentium®
- MEMORY** 4 DDR3 DIMM up to 32GB
- EXPANSION** 1 PCIe x16, 1 PCIe x4,
1 PCIe x1 or 1 Mini PCIe x1, 4 PCI
- DISPLAY OUTPUTS** 1 DVI-I (DVI-D signal), 1 VGA
- LAN** 2 Gigabit LAN
- COM** 6 COM
- USB** 12 USB 2.0
- SATA** 6 SATA (2 SATA 3.0, 4 SATA 2.0)
- DIO** 8-bit DIO

SDVO-LVDS Daughterboard (optional)



Top

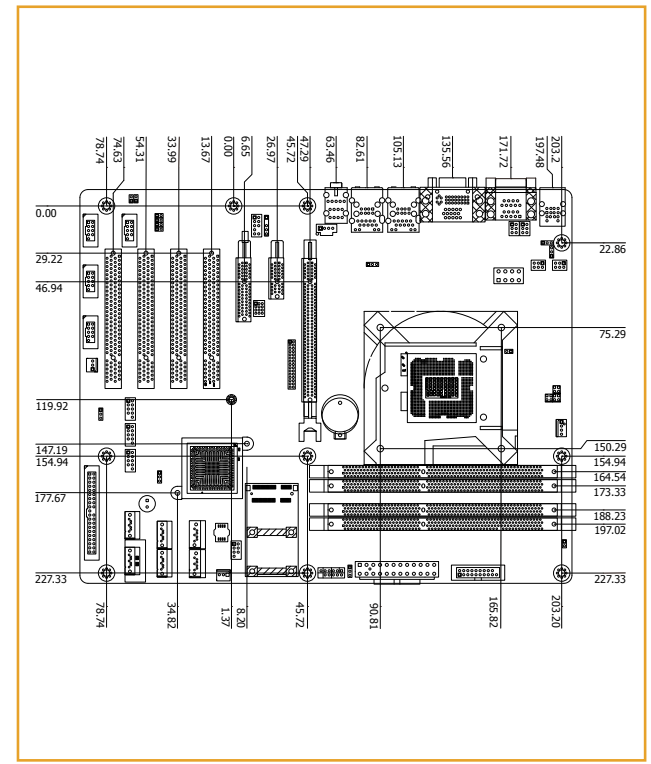


Bottom

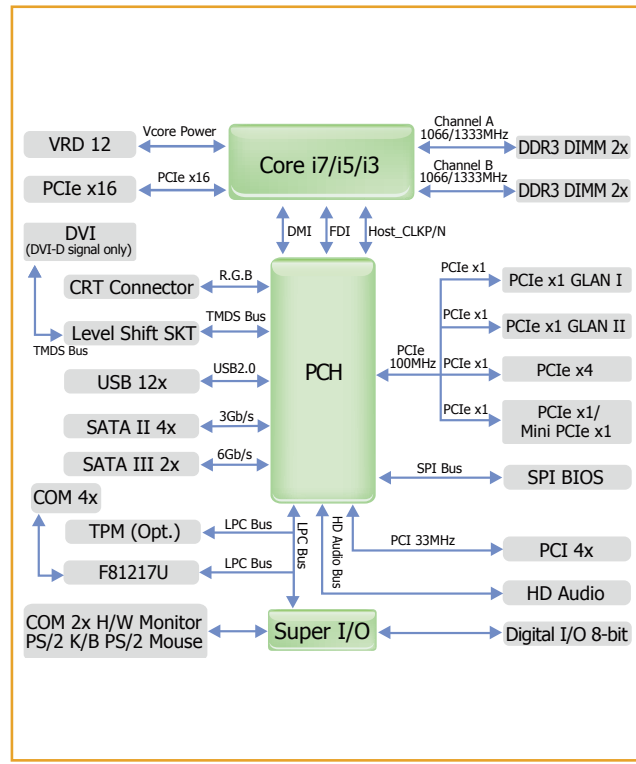
- I/O PORTS**
 - Chrontek CH7308B
 - Supports 18/24-bit 1600x1200 LVDS panel
 - 1 LVDS LCD panel connector
 - 1 LCD/Inverter power connector
 - SDVO interface
 - Supports dimming control via hot keys

- DIMENSIONS**
 - 45mm (1.77") x 38mm (1.49")

Mechanical Drawing



Block Diagram



Specifications

- PROCESSOR**
 - LGA 1155 socket for:
 - Intel® Core™ i7-2600 (3.4GHz, 95W)
 - Intel® Core™ i5-2400 (3.1GHz, 95W)
 - Intel® Core™ i3-2120 (3.3GHz, 65W)
 - Intel® Pentium® G850
 - New microarchitecture on 32nm process technology
 - Intel® Advanced Vector Extensions (Intel® AVX) Instructions
 - Intel® Turbo Boost Technology

- CHIPSET**
 - Intel® Q67 PCH (Platform Controller Hub)

- SYSTEM MEMORY**
 - Four 240-pin DDR3 DIMM sockets
 - Supports DDR3 1066/1333MHz
 - Supports dual channel memory interface
 - Supports up to 32GB system memory
 - DRAM device technologies: 1Gb, 2Gb and 4Gb DDR3 DRAM technologies are supported for x8 and x16 devices, unbuffered, non-ECC

- EXPANSION SLOTS**
 - 1 PCIe x16 Gen 2 slot (PCIe 2.0)
 - 1 PCIe x4 slot (PCIe 2.0)
 - 1 PCIe x1 slot (PCIe 2.0) or 1 Mini PCIe x1 slot (PCIe 2.0)
 - 4 PCI slots (PCI 2.3)

- ONBOARD GRAPHICS FEATURES**
 - Intel® HD Graphics
 - Display ports: DVI-I (DVI-D signal) and VGA
 - DVI-I supports up to 1920x1200 @ 60Hz resolution
 - VGA supports up to 2048x1536 @ 75Hz resolution
 - Supports 6 Graphics Execution Units (EUs)
 - Intel® Clear Video Technology
 - DirectX Video Acceleration (DXVA) support for accelerating video processing

- ONBOARD AUDIO FEATURES**
 - Realtek ALC886 5.1-channel High Definition Audio
 - Audio outputs: Mic-in/Center+Subwoofer, line-in/surround and line out
 - S/PDIF audio interface

- ONBOARD LAN FEATURES**
 - Intel® WG82579LM with iAMT7.0 Gigabit Ethernet Phy
 - Intel® WG82574L PCI Express Gigabit Ethernet controller
 - Integrated 10/100/1000 transceiver
 - Fully compliant with IEEE 802.3, IEEE 802.3u, IEEE 802.3ab
 - Supports wire management

- SERIAL ATA (SATA) INTERFACE**
 - 6 Serial ATA ports
 - 4 SATA 2.0 ports with data transfer rate up to 3Gb/s (SATA port 4 provides adequate space for SATA DOM)
 - 2 SATA 3.0 ports with data transfer rate up to 6Gb/s
 - Integrated Advanced Host Controller Interface (AHCI) controller
 - Supports RAID 0/1/5/10

- INTEL ACTIVE MANAGEMENT TECHNOLOGY (AMT)**
 - Supports iAMT7.0
 - Out-of-band system access
 - Remote troubleshooting and recovery
 - Hardware-based agent presence checking
 - Proactive alerting
 - Remote hardware and software asset tracking

Packing List

- 1 SB630-CRM motherboard
- 2 Serial ATA data cables
- 2 USB port cables (with bracket)
- 2 COM port cables (with bracket)
- 1 IDE cable
- 1 I/O shield
- 1 DVD
- 1 QR (Quick Reference)

- TRUSTED PLATFORM MODULE (TPM) - optional**
 - Provides a Trusted PC for secure transactions
 - Provides software license protection, enforcement and password protection

- REAR PANEL I/O PORTS**
 - 1 mini-DIN-6 port for PS/2 mouse/keyboard
 - 2 DB-9 serial ports
 - Supports RS232/422/485 (RS232 and/or Power)
 - 1 DB-15 VGA port
 - 1 DVI-I port (DVI-D signal)
 - 2 RJ45 LAN ports
 - 6 USB 2.0/1.1 ports
 - Line-in/Surround, Line out, Mic-in/Center+Subwoofer jacks

- I/O CONNECTORS**
 - 3 connectors for 6 external USB 2.0/1.1 ports
 - 4 connectors for 4 external RS232 serial ports
 - 1 SDVO connector for the optional SDVO-LVDS daughterboard
 - 1 8-bit Digital I/O connector
 - 1 front audio connector for line-out and mic-in jacks
 - 1 CD-in connector
 - 1 S/PDIF connector
 - 6 Serial ATA ports
 - 1 IDE connector
 - 1 24-pin ATX power connector
 - 1 8-pin 12V power connector
 - 1 chassis intrusion connector
 - 1 front panel connector
 - 3 fan connectors

- BIOS**
 - AMI BIOS
 - 64Mbit SPI BIOS

- ENERGY EFFICIENT DESIGN**
 - Supports ErP Lot6 power saving (optional)
 - Supports ACPI
 - System Power Management
 - Wake-On-Events include:
 - Wake-On-PS/2 KB/Mouse
 - Wake-On-USB KB/Mouse
 - Wake-On-LAN
 - RTC timer to power-on the system
 - CPU stopped clock control
 - AC power failure recovery

- DAMAGE FREE INTELLIGENCE**
 - Monitors CPU/system temperature and overheat alarm
 - Monitors Vcore/5V/3.3V/V_DIMM/12V/5VSB voltages and failure alarm
 - Monitors CPU/system fan speed and failure alarm
 - Read back capability that displays temperature, voltage and fan speed
 - Watchdog timer function

- TEMPERATURE**
 - Operating: 0°C to 60°C
 - Storage: -20°C to 85°C

- HUMIDITY**
 - 10% to 90%

- DIMENSIONS**
 - ATX form factor
 - 305mm (12") x 244mm (9.6")

Optional Items

- SDVO-LVDS daughterboard
- USB port cable
- COM port cable
- Serial ATA data cable
- Serial ATA power cable
- PS/2 Keyboard/Mouse cable