

BPC-3006-F

6.4" Panel PC with Touch Screen, P-M/ULV C-M, 3 COM, 4 USB, +10~30V DC IN

Panel PC



Features

- » Aluminum front panel design
- » 6.4" TFT color panel display w/touch screen
- » Supports Intel® P-M/ULV C-M processor TDP ≤ 24.5W
- » VGA, dual Ethernet, Audio port
- » 3-key dimmer controller
- » 1 x 2.5" HDD space
- » 1 x CF socket
- » 3 x COM port, 4 x USB2.0 port
- » +10~30V DC IN
- » 1 x 4cm ball bearing cooling fan
- » Option for Wireless LAN module

System

LCD

Size: 6.4"
Max. Resolution: 640 x 480 pixels
Brightness: 400 cd/m²
Max. Color: 262,144 colors
Pixel Pitch: 0.2025 x 0.203 mm

Touch Screen

6.4" resistive

Dimmer Controller

3-key dimmer controller on front panel

SBC

HS-2610(M)

CPU

Intel® Pentium® M processor 1.8GHz or ULV
Celeron® M processor 600MHz/512K (option)

System Chipset

Intel® 852GM(E)/ICH4

System Memory

1 x 200-pin SO-DIMM, DDR 333MHz(HS-2610)/DDR
266MHz(HS-2610M), Max. 1GB

Display Interface:

1 x D-SUB 15-pin

Audio Interface

Audio jack for MIC In, Line Out

Ethernet Interface

2 x RJ-45 for Ethernet
1 x USB wireless LAN module (option)

Storage

1 x 2.5" HDD space
1 x Type II CF socket

Watchdog Timer

Software programmable time-out intervals from
1~255 sec. or 1~255 min.

H/W Status Monitor

Monitoring temperatures, voltages, and cooling fan
status

Thermal Solution

1 x 4cm ball bearing cooling fan

Power

+10~30V DC IN

Operating/Storage Temperature

0~50°C/-20~+70°C

Certification

FCC/CE Class A compliance
IP65 front panel protection compliance

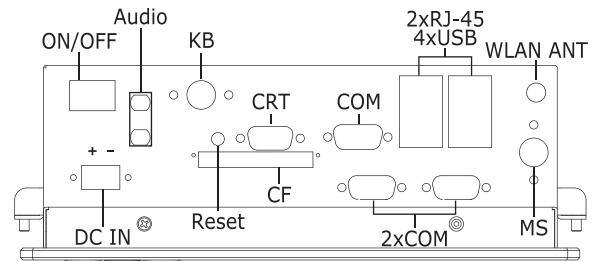
Dimensions

23.3(L) x 16.4(H) x 8.1(W) cm

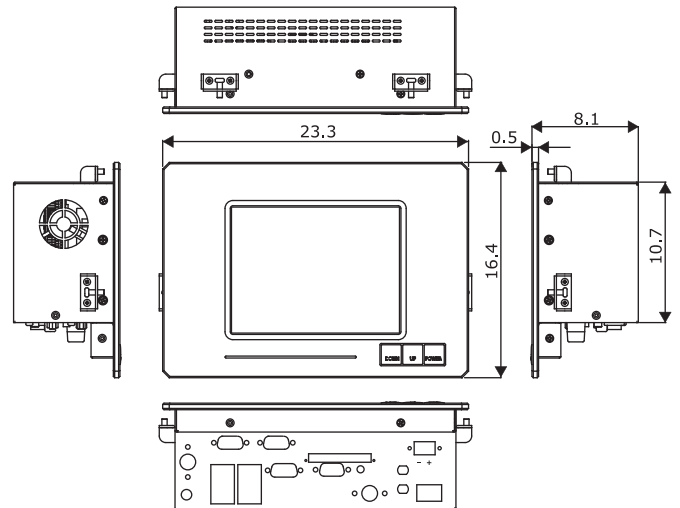
Cut Out Size

21.8(L) x 13.8(H) cm

I/O Interface



Dimensions (unit:cm)



Ordering Information

BPC-3006-F9

6.4" Panel PC w/Touch Screen, 3 COM, 4 USB,
+10~30V DC IN

Accessory Options

Table Top Metal Stand, CPU, Memory Module, CF
Module, Wireless LAN Module, 2.5" HDD