

AR-V6002FL

Fanless and Dustproof Intel Atom D425/D525 Vehicle Computer



Features

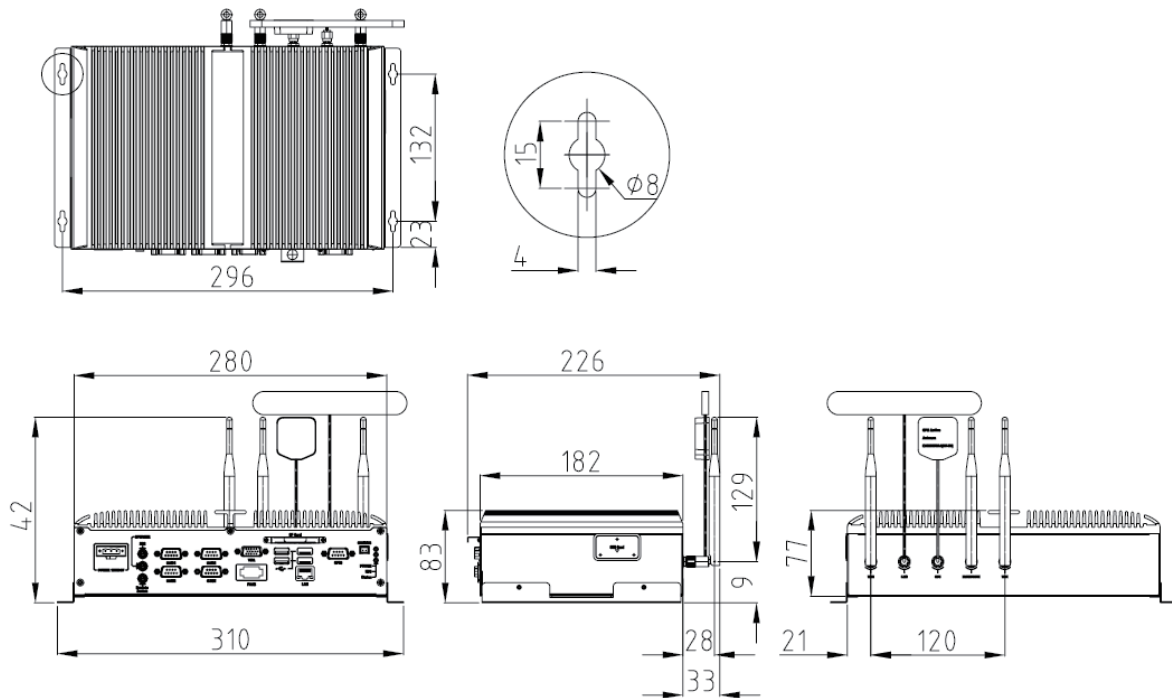
- Support Intel Atom D425/D525
- Internal GPS/3.5G/WiFi/Bluetooth module option
- CAN Bus support CAN 2.0A/2.0B protocol
- 9~32V power input for standard car battery
- Smart power management with low power protection, ignition control, on/off delay, and software to control delay timing.



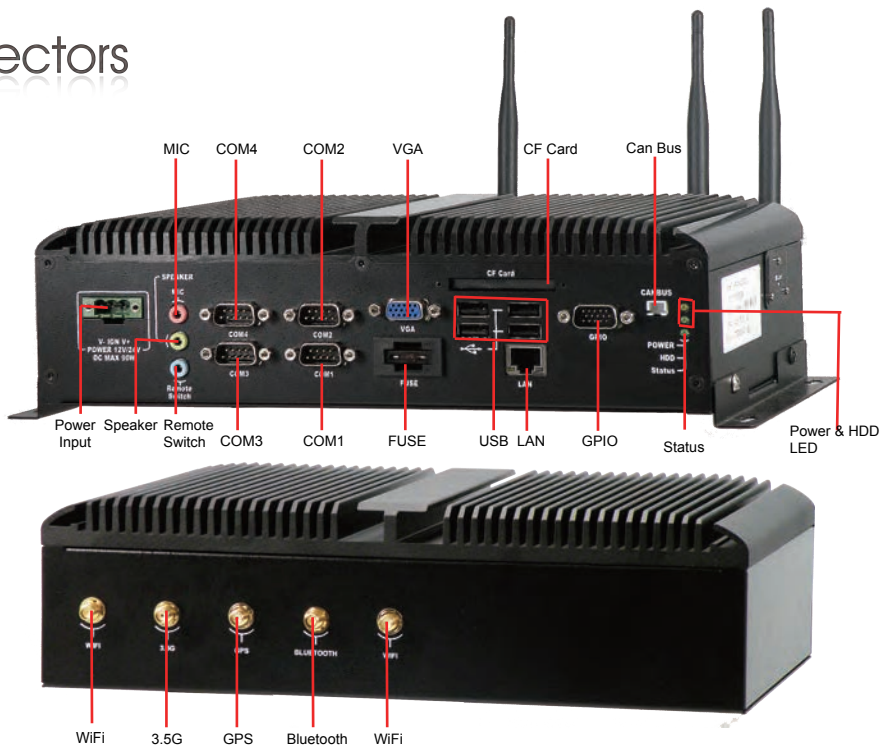
Specification

System	
CPU	Intel Atom D425/D525
Chipset	Intel ICH8M
Memory	One DDR3 SO-DIMM socket, support up to 4G 1G pre-install
Video	
Graphic Controller	Integrated within Atom D425/D525
Video Memory	N/A
Video Interface	• 1 x VGA port (DB15)
Storage	
IDE	N/A
SATA	2 x SATA II port
CF	1 x External Compact Flash Type I/II socket
Disk Bay	1 x 2.5" Disk bay with Anti-vibration/Anti-shock solution for SSD only
I/O	
Expansion Slot	2 x mini-PCIe (Reserve for WiFi and 3.5G)
Ethernet	1 x GbE RJ45, Realtek 8111D
Serial Port	2 x RS-232/422/485, 2 x RS-232, 1 x RS-232 pin header
USB	4 X USB 2.0, 2 x USB 2.0 pin header
GPIO	8-bit GPIO (4 In, 4 Out)
Audio	1 x MIC in, 1 x Audio out, 1 x Remote switch
Antenna Hole	1 x SMA for GPS, 1 x SMA for 3.5G, 2 x SMA for WiFi, 1 x SMA for Bluetooth
SIM	SIM Slot x 1, SIM card changeable without opening case, latch to protect SIM uncertainly touch
CAN BUS	2 pin JST connector, support CAN 2.0A/2.0B protocol

Power	
Power Input	Power onboard design (AR-B6002) <ul style="list-style-type: none"> Fuse Design Smart ATX power function: <ul style="list-style-type: none"> a. Power on/off retry b. Adjustable delay time for system OFF by Switch on power module (Mode2~Mode7) (Default is mode 2) c. System on/off by Vehicle ignition or Remote switch button d. Low Power input monitoring, Auto shutdown S/W configurable Remote switch(audio jack) System status LED(blue)
Power Consumption	Max Load 47W
Others	
GPS(option)	GPS Module (Internal USB)
3.5G(option)	3.5G Module (Mini PCIe 1)
WiFi(option)	Wifi (Mini PCIe 2)
Bluetooth(option)	Bluetooth module (Internal USB)
Hardware Feature	
WatchDog Timer	Software programmable 0~255 sec.
Software	
OS Support	Windows XP/XP embedded/Windows 7/ Linux fedora 12
Mechanical & Environment	
Dimension(W x D x H)	(L) 280 x (W) 181.5 x (H) 76.8 (mm) , 2.7KG
Operating Temp.	-20~50°C (-4~122°F)
Vibration	IEC 60068-2-64 5~500Hz, 2GRMS for CF, 3GRMS for SSD
Shock	IEC 60068-2-27 50G-500m/s -11ms
Storage Temp.	-40~80°C (-40~176°F)
Safety	CE/FCC class B / E-Mark



I/O Connectors



Packing List

- 1 x AR-V6002FL
- 1 x User Guide CD with driver
- 2 x Wall Mount Bracket
- 1 x Screw pack (2.5" HDD bracket : 4pcs)
- 1 x Terminal block (Plug-DC connector)
- 1 x Remote Switch Cable
- 1 x Antenna for GPS (option)
- 2 x Antenna for WiFi (option)
- 1 x Antenna for 3.5G (option)
- 1 x Antenna for Bluetooth (option)
- 1 x Fuse 7.5A
- 1 x SATA and SATA power cable

Ordering Information

- AR-V6002FLD4** AR-V6002FL with Intel Atom D425 1.8GHz, 1GB DDR3
- AR-V6002FLD5** AR-V6002FL with Intel Atom D525 1.8GHz, 1GB DDR3

Optional Accessory

- 100070047** SIERRA WIRELESS MC8790 3.5G Module (mini-PCIe) with RF cable, screw, Antenna(L=3M)
- 100070053** Huawei WIRELESS EM770W 3.5G Module with RF cable, screw, Antenna(L=3M)
- 100070055** WIESON ZYM-5020, Cable Antenna (L=5M)
- 100070054** AW-NE768 WiFi-105E IEEE 802.11 b/g/n, Antenna x 2
- 100070056** Qcom QBTM400-01, Antenna