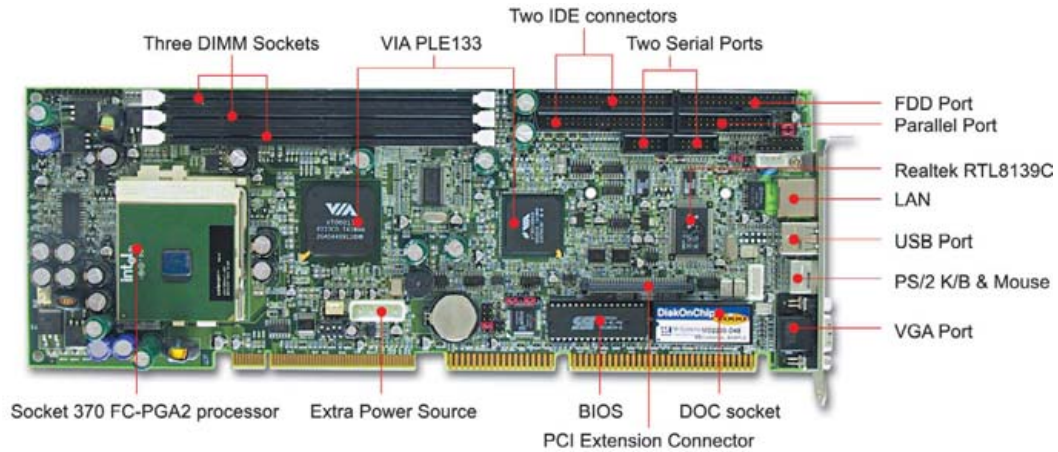


NC-6060

Intel® Pentium® III or Celeron® (FC-PGA2) processor based PICMG SBC with VGA and Fast Ethernet



FEATURE

- Cost-effective design for high speed Intel® Pentium® III or Celeron® processor
- VIA PLE133 chipset delivers excellent levels of scalability and performance on a cost-effective, integrated chipset platform with high graphics integration
- PC100/133MHz SDRAM for cost effective memory support
- VIA 2D/3D AGP VGA with up to shared 8MB display memory for high-quality integrated video
- On-board Realtek 8139C Fast Ethernet provides economic network connection
- Standard features for embedded system, like H/W monitoring, WDT and SSD
- Proprietary PCI connector for expansion (optional daughter board provided, such as Ultra 160 SCSI or Fast Ethernet)

Ordering Information

Standard	NC-6060 Pentium® III or Celeron® (FC-PGA2) processor based PICMG SBC with VGA and Fast Ethernet
Optional	ROBO-U160 SCSI extension module with Portwell OmniPCI™ connection interface ROBO-N100 Single Fast Ethernet port extension module with Portwell OmniPCI™ connection interface

General

CPU	CPU & Package: Intel® Pentium® III / Celeron® processor in the FC-PGA/FC-PGA2 370 package FSB: 133/100/66MHz
Chipset	VIA PLE133 and VT82C686B
Memory	Up to 1GB PC/VCM 133/100 SDRAM on three 168-pin DIMM sockets
BIOS	Award BIOS
Display	- VIA 2D/3D AGP VGA - 8MB shared display memory - Display resolution up to 1280x1024, 256 colors at refresh rate 60Hz
Ethernet	- Realtek 8139C PCI Ethernet - 10BASE-T/100BASE-TX Ethernet - IEEE 802.3u auto-negotiation support - One RJ-45 connector
Audio	N/A
SCSI	N/A
Expansion Interface	Proprietary PCI connection interface
ISA Bus	64mA high driving ISA bus interface to backplane for legacy ISA slots
EIDE	Support four EIDE devices with Ultra DMA 100/66/33
Solid State Disk	DOC socket for up to 288MB
I/O	- Up to two floppy disk drives - Two serial, one parallel, one IrDA and three USB ports - One 6-pin mini-DIN connector for keyboard and mouse - One 5-pin header for external keyboard connection
ACPI Function	- ATX function with 4-pin header connect to backplane - Modem-Ring-On and Wake-On-LAN
Hardware Monitoring	System monitor (fan, temperature, voltage)
Watchdog Timer	- Programmable via software from 0.5 sec. to 254.5 min. - Can be enabled/disabled by jumper
Power Requirement	+5V@8A; +12V@150mA; -12V@20mA (typ.)
Mechanical	Dimension: 338.5(L) x 122(W) / 13.33"(L) x 4.8" (W) PCB: 6-layer
Environmental	Operating Temperature: 0 to 55°C Storage Temperature: -20 to 75°C Relative Humidity: 5% to 95%, non-condensing
Approval	CE, FCC Class A
MTBF	104,912 hrs