

TPC-60S

ARM9 Touch Panel Computer with 5.7" QVGA STN LCD Display



Features

- 5.7" QVGA color STN LCD
- Super slim and compact design with plastic housing
- Fanless cooling system
- NEMA4/IP65 compliant front panel
- Remote manageability
- Built-in flash memory and Windows CE .NET OS
- One CompactFlash™ slot
- Automatic data flow control RS-485
- Wireless LAN (optional)

Introduction

The TPC-60S models are compact platforms without redundant functions, which have been designed for small-sized operator interface applications. They have 5.7" STN LCD display which is a cost effective choice for a limited budget. Its RISC kernel, the ARM9 processor, consumes minimum power without sacrificing performance. The TPC-60S has 10/100Base-T Ethernet port offering solid communication ability and comes bundled with a Windows CE .NET OS that supports Thin-Client solutions. The built-in Windows CE .NET OS platform lets TPC-60S become an open HMI solution for system integration.

Specifications

- **Construction** Plastic molding housing
- **Display** 5.7" QVGA STN LCD
- **CPU / Core logic** ARM9 S3C2410A 266 MHz
- **VGA** Controlled by CPU
- **Memory** 64 MB SDRAM on board
- **Storage** 64 MB flash memory on board, 1 CompactFlash™ card (option)
- **I/O** 3 serial ports (one full RS-232, one 4-pin RS-232, one RS-485), 1 Ethernet port (10/100Base-T), 2 USB ports (one Host, one Client)
- **Wireless LAN** By PCMCIA module (option)
- **Watchdog Timer** Programmable as 250 ms, 500 ms, 1 second
- **Power Input** 24 V_{DC}, 0.5A maximum
- **Dimensions (W x H x D)** 195 x 148 x 44.4 mm (7.68" x 5.83" x 1.75")
- **Weight** 0.8 kg (1.76lbs)

LCD Display

- **Display Type** STN color LCD (TPC-60S)
- **Display Size (diagonal)** 5.7"
- **Max. Colors** 256
- **Resolution** 320 x 240
- **Pixel Pitch (HxV)** 0.36 x 0.36 mm
- **Viewing Angle** 110°
- **Luminance (cd/m²)** 201
- **Backlight** 1 CCFL
- **Contrast ratio** 35

Touchscreen

- **Type** 4-wire, analog resistive
- **Resolution** Continuous
- **Light Transmission** Above 75%
- **Life** 1 million activation minimum at single point

Environmental Specifications

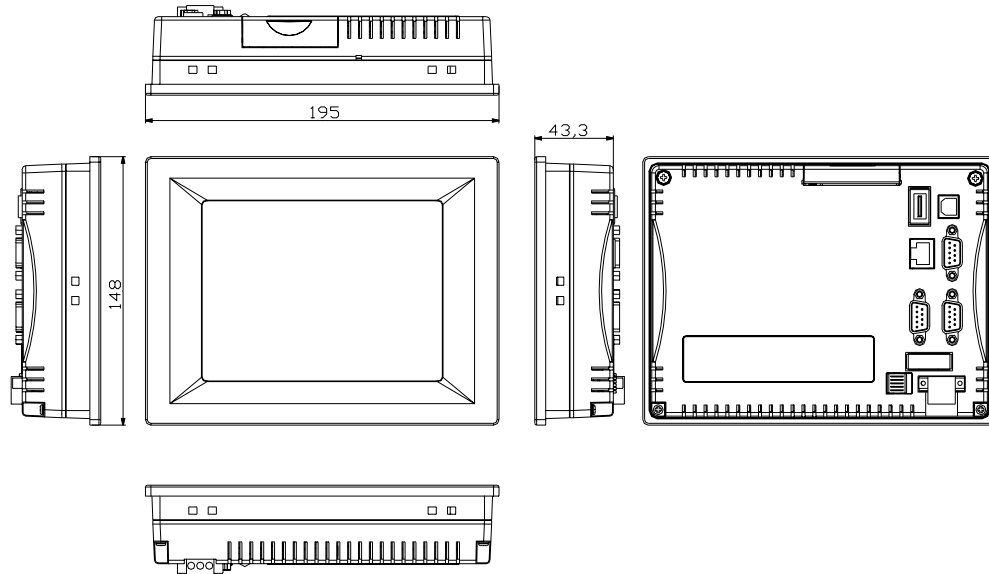
- **Storage Temperature** -20 ~ 70° C (-4 ~ 158 °F)
- **Operating Temperature** 0 ~ 50° C (32 ~ 122 °F)
- **Relative humidity** 10 ~ 95% @ 40° C, non-condensing
- **EMI** FCC class A certification
- **Vibration** 1 G
- **Front panel meets NEMA4 / IP65**

Ordering Information

- **TPC-60SN-E1** 5.7" color STN LCD display touch panel computer with ARM9 266 MHz CPU, 64 MB DRAM/64 MB flash memory on board and Windows CE .NET OS
- **TPC-60SN-E2** TPC-60SN-E1 with wireless LAN module
- **TPC-60SN-F1** TPC-60SN-E1 without touch screen
- **PS-DC24-50** 50 Watts 24 V_{DC} output, 110 V/220 V_{DC} 50/60 Hz input power adapter
- **Java Virtual Machine embedded by request**

Dimensions

Unit: mm



Rear View

