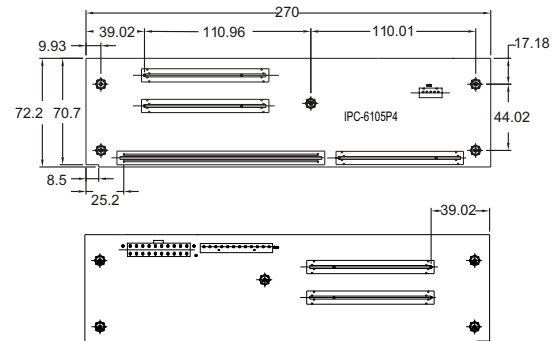
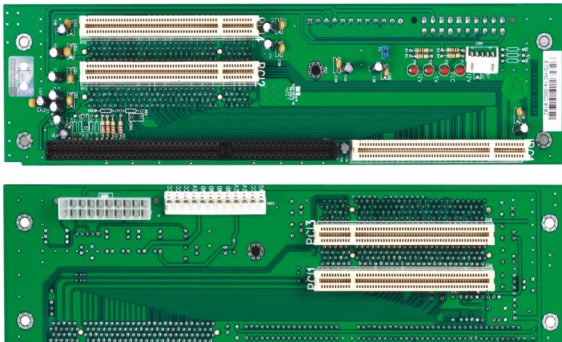


IPC-6105P4

Max. Systems: 1

System Slots: 1 x PICMG1.0

Expansion Slots: 4 x PCI

Power: ATX/AT

Order Information: 0050-000361 IPC-6105P4