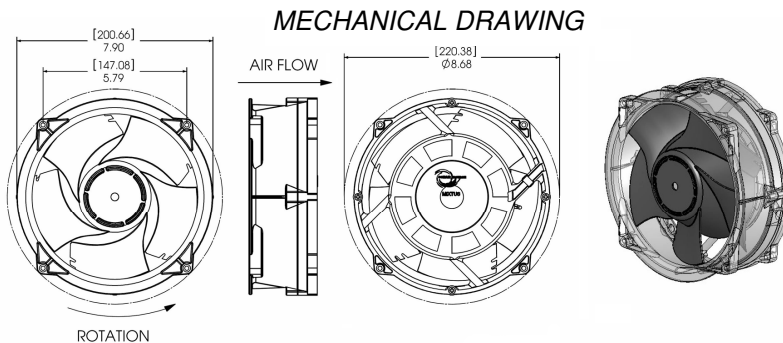


Mixtus 7.9



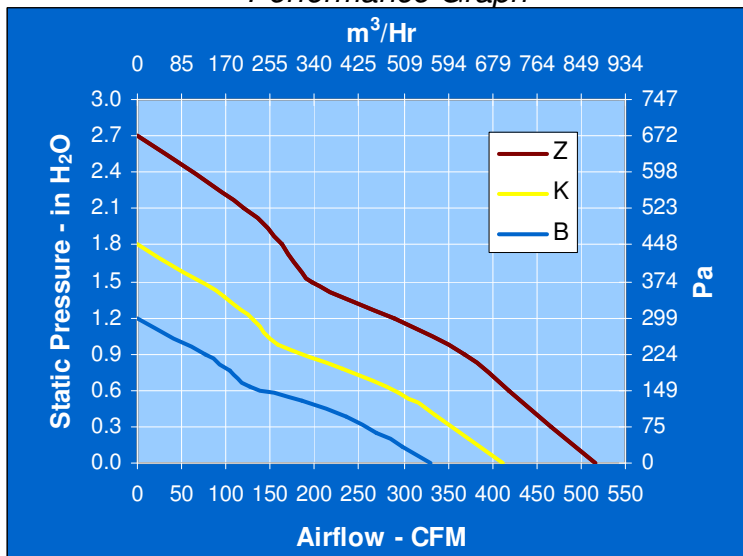
STANDARD FEATURES

- Size: 7.90" x 2.75" (200.66mm x 69.85mm)
- Nominal Operating Voltage: 24 or 48 VDC
- Operating Temperature: -10°C to +70°C
- Storage Temperature: -40°C to +80°C
- Permanently Lubricated Ball Bearings
- Termination: Lead Wires
- Two Piece, Die Cast Aluminum Venturi
- 12.0" 22 AWG, UL 1061 Style Lead Wires
- Propeller: PBT
- Weight: 4 lbs. (1.81 Kg)
- Life Expectancy: 70,000 hours @ 40° C

BENEFITS

- High Pressure Mixed Flow Cooling with Multiple Configurations to Meet Customers Needs
- Outstanding Airflow
- True Dependability with 18 Month Warranty
- High Performance Competitively Priced Fan
- Available Standard with Open Collector Tachometer & PWM

Performance Graph



200 X 70 mm

Model Number	Rated Voltage	Operating Voltage Range	Rated Current	Rated Input Power	Speed	Rated Airflow		Rated Air Pressure		Noise
	VDC	VDC	Amps	Watts	RPM	CFM	m³/min	in H ₂ O	Pa	dBA
MFSE24B	24	16 - 32	1.0	29	2880	330	560	1.2	298	55.0
MFSE48B	48	24 - 72	0.6	29	2880	330	560	1.2	298	55.0
MFSE24K	24	16 - 32	2.0	48	3600	416	706	1.8	448	60.6
MFSE48K	48	24 - 72	1.0	48	3600	416	706	1.8	448	60.6
MFSE24Z	24	16 - 32	4.0	96	4500	520	883	2.7	672	65.4
MFSE48Z	48	24 - 72	2.0	96	4500	520	883	2.7	672	65.4



COMAIR ROTRON, INC
 8929 Terman Court, San Diego, CA 92121
 Ph (858) 348-6200 Fax (858) 566-4577
 E-mail: sales@comairrotron.com,
 Web: www.comairrotron.com

