

2U Type Industrial Power Supply

EFAP-752 (New)

EPS2U

750 watts Output Power

Four sets of +12V Output Rails

EPS2U Application for Rack Mount System



Dimensions: 100(W) x 70(H) x 249(D) mm

Features:

- Universal Power Input
- Active Power Factor Correction
- Remote DC Sense on +5V and +3.3V
- Short Circuit Protection
- Over Current Protection
- Over Voltage Protection
- Over Power Protection
- MTBF >100,000 Hours

General Specifications:

- Input Range: 100 to 240 VAC, +/-10%
- Power Factor: 0.95 minimum at full load
- Efficiency: 80% minimum, at full load (115/230Vac)
- Hold up Time: 20mS minimum, at full load
- PSON (Remote ON/OFF): TTL compatible signal
- Power Good: 100 to 500 ms, TTL compatible signal
- Operating Temperature: 0 to 45°C
- Operating Humidity: 20 to 90 %

Agency Requirements:

- Harmonic: Meet EN61000-3-2 standards
- EMI/RFI: CE, FCC class B and CISPR class B
- Safety: UL, cUL, CB, TUV

Electrical Specifications:

Regulation, Ripple & Noise:

Output	+3.3V	+5V	+12V1	+12V2	+12V3	+12V4	-5V	-12V	5Vsb
Load Regulation	± 5%	± 5%	± 5%	± 5%	± 5%	± 5%	-	± 5%	± 5%
Cross Regulation	± 5%	± 5%	± 5%	± 5%	± 5%	± 5%	-	± 5%	± 5%
Line Regulation	± 1%	± 1%	± 1%	± 1%	± 1%	± 1%	-	± 1%	± 1%
Ripple & Noise	50mV	50mV	120mV	120mV	120mV	120mV	-	120mV	50mV

Input and Output Ratings:

Input			Output										
Voltage	Frequency	Current	Watt	Load	+3.3V	+5V	+12V1	+12V2	+12V3	+12V4	-	-12V	5Vsb
100-240 VAC	47-63 Hz	12-6A	750W	Max Load	30A	30A	20A	20A	20A	20A	-	0.8A	3A
				Min Load	1.5A	1A	1.5A	1.5A	1.5A	1.5A	-	0A	0.1A

Note: 1. The +12V1 &+12V2 &+12V3 &+12V4 total combined output shall not exceed 54A

2. The +5 & +3.3 Volt total combined output shall not exceed 180W

3. The +5, +3.3 and +12 Volt total combined I output shall not exceed 725W

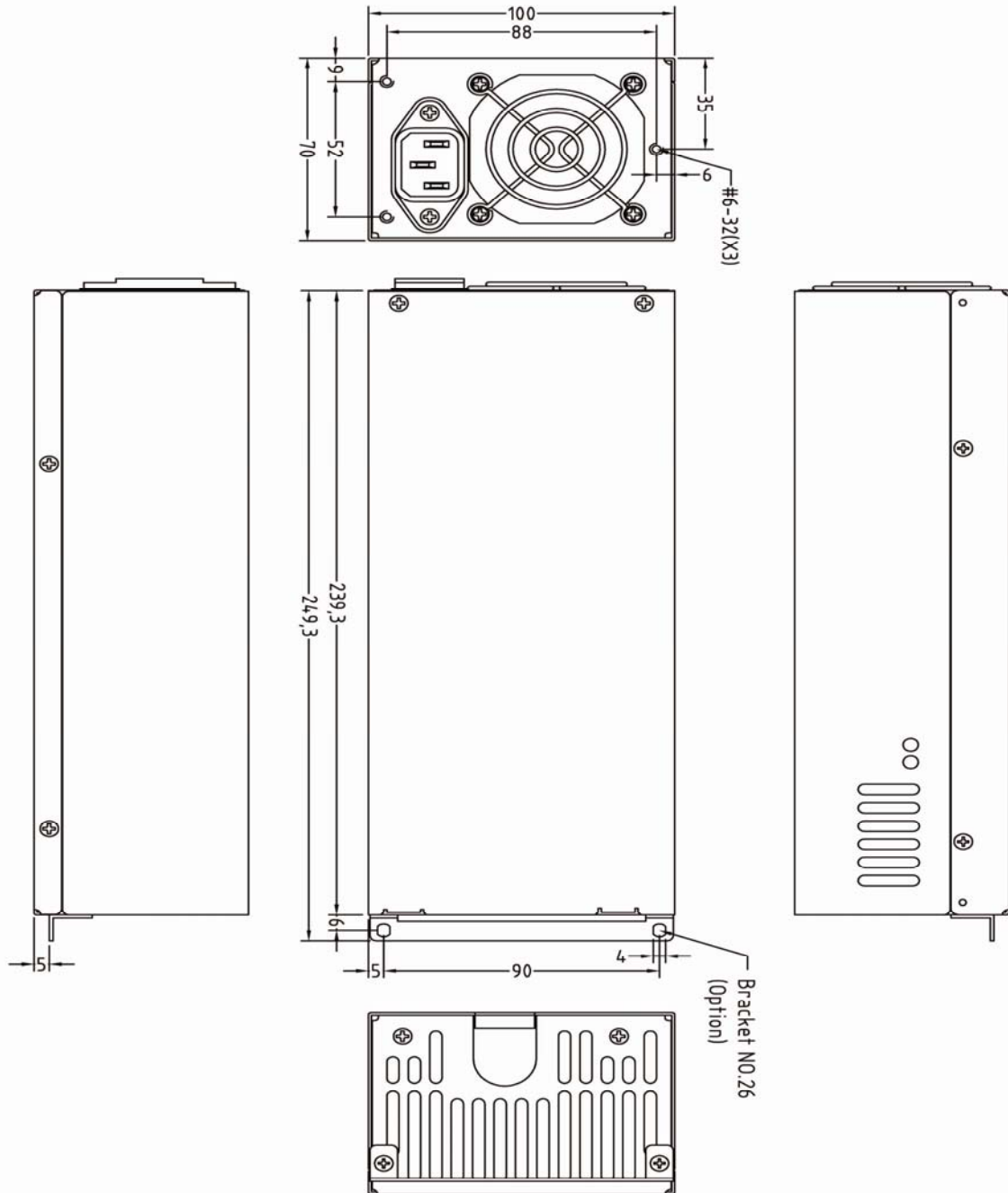
4. Noise bandwidth is from DC to 20 MHz.

2U Type Industrial Power Supply

EFAP-752 (TBD)

Dimensions (Unit: mm):

Etasis Electronics Corporation



Model No.: EFAP-752
 Dimension: 100(W) x 70(H) x 240(D) mm