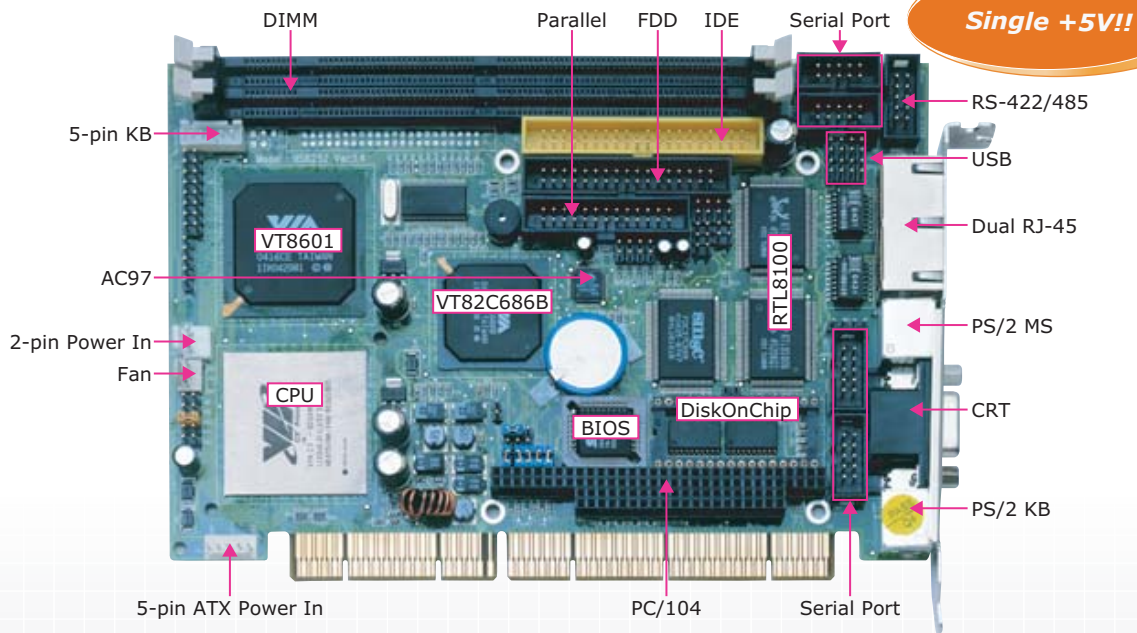


HS-6252

C3/Eden processor PCI-ISA Bus SBC with CRT, Dual LAN, Audio

Single Board Computer

PCI-ISA Bus SBC



- CRT
- Dual LAN
- Audio
- ATA/33/66/100
- RS-232/422/485
- 4 COM
- PC/104
- IrDA
- USB
- DOC
- WDT
- Single +5V
- H/W Monitor

FEATURES

- ▶ VIA C3 800MHz or Eden 1GHz processor
- ▶ Two DIMM sockets with a max. capacity of 1GB
- ▶ VIA VT8601/VT82C686B chipset
- ▶ VIA VT82C686B, SMC 37C669 super I/O chipset
- ▶ VIA VT8601 graphics controller
- ▶ Dual RealTek RTL8100 Ethernet controller
- ▶ AC97 3D audio controller
- ▶ Fast PCI ATA/33/66/100 IDE controller
- ▶ 4 COM, 4 USB, PC/104, DOC
- ▶ Single +5V power in
- ▶ Hardware Monitor function

ORDERING GUIDE

- ▶ **HS-6252**
C3 800MHz SBC w/CRT, Dual LAN, Audio, 4C/485
- ▶ **HS-6252LV**
C3 800MHz SBC w/CRT, LAN, 4C/485
- ▶ **HS-6252E**
Eden 1GHz SBC w/CRT, Dual LAN, Audio, 4C/485
- ▶ **HS-6252ELV**
Eden 1GHz SBC w/CRT, LAN, 4C/485

SPECIFICATIONS

- ***CPU:**
VIA C3 processor 800MHz
VIA Eden processor 1GHz
- ***Bus Interface:** PCI-ISA Bus (no 3.3V output through goldfinger)
- ***Memory:** Two DIMM sockets supports up to 1GB
- ***Chipset:** VIA VT8601/VT82C686B
- ***I/O Chipset:** VIA VT82C686B, SMC 37C669
- ***VGA:** VIA VT8601 integrated Trident 3D supports AGP Bus
- ***Ethernet:** Dual RealTek RTL8100 10/100 Based LAN
- ***Audio:** AC97 3D audio controller
- ***IDE:** One 2.54-pitch 40-pin IDE connector
- ***FDD:** Supports up to two floppy disk drives
- ***Parallel:** One enhanced bi-direction parallel port supports SPP/ECP/EPP
- ***Serial Port:** 16C550 UART-compatible RS-232/422/485 x 1 and RS-232 x 3 serial ports with 16-byte FIFO
- ***PC/104:** PC/104 Bus connector for 16-bit ISA Bus
- ***IrDA:** One IrDA TX/RX header
- ***USB:** 4 internal USB ports
- ***Keyboard:** PS/2 6-pin Mini DIN or 5-pin connector
- ***Mouse:** PS/2 6-pin Mini DIN or 4-pin header
- ***DiskOnChip:** DiskOnChip socket supports memory sizes of up to 288MB
- ***BIOS:** AMI PnP Flash BIOS
- ***Watchdog Timer:** Sets 1/2/10/20/110/220 seconds activity trigger with Reset or NMI
- ***CMOS:** Battery backup
- ***Temperature:** 0~+60°C (operating)
- ***Hardware Monitor:** VIA VT82C686B
- ***Dimensions:** 18.6(L) x 12.2(W) cm