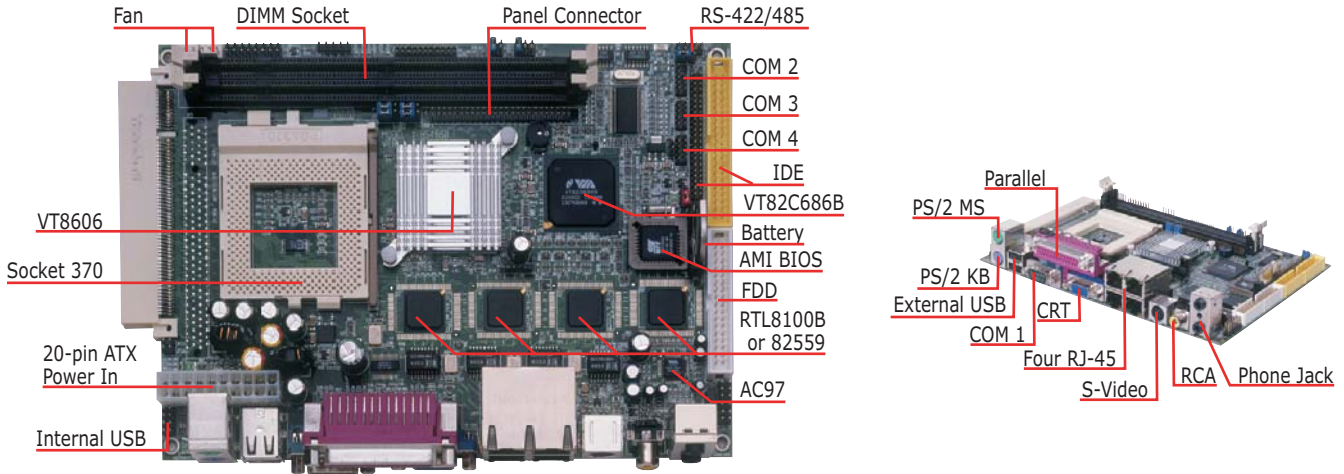


Embedded Engine Board HS-4650

- 133MHz FSB
- PCI Slot
- CRT/Panel
- TV-Out
- Four LAN
- Audio
- ATA/33/66/100
- RS-232/422/485
- 4 COM
- IrDA
- USB
- H/W Monitor

133MHz FSB Socket 370 Embedded Engine Board with CRT/Panel, Audio, four LAN & TV-Out



■ Features

Intel® Pentium® III/Celeron® and VIA C3 processor
566MHz~1.26GHz
Supports 100/133MHz FSB
Two DIMM sockets with a max. capacity of 1GB
VIA VT8606/VT82C686B system chipset
VIA VT82C686B, SMC SP37E760 super I/O chipset
VIA VT8606 graphics controller

Four RealTek RTL8100B or Intel® 82559 fast Ethernet controller
AC97 3D audio controller
Fast PCI ATA/33/66/100 IDE controller
Four COM, four USB ports
Hardware Monitor function
TV-Out function (optional)

■ Specifications

***CPU:** Intel® Pentium® III processor 600MHz~1.26GHz
Intel® Celeron® processor 566MHz~1.2GHz
VIA C3 processor up to 1GHz
***Memory:** Two DIMM sockets supporting up to 1GB
***Chipset:** VIA VT8606/VT82C686B
***I/O Chipset:** VIA VT82C686B, SMC SP37E760
***PCI Slot:** One standard PCI slot
***VGA:** VIA VT8606 with 32MB shared main memory supporting CRT/Panel displays up to 1280 x 1024 at 24bpp colors(CRT)/1024 x 786 at 18bpp colors(Panel)
***TV-Out:** Supports PAL or NTSC TV systems (optional)
***Ethernet:** Four RealTek RTL8100B or Intel® 82559 10/100 Based LAN
***Audio:** AC97 3D audio controller
***IDE:** One 2.54-pitch 40-pin and one 2.0-pitch 44-pin IDE connectors

***FDD:** Supports up to two floppy disk drives
***Parallel:** One enhanced bi-directional parallel port supporting SPP/ECP/EPP
***Serial Port:** 16C550 UART-compatible RS-232/422/485 x 1 and RS-232 x 3 serial ports with 16-byte FIFO
***IrDA:** One IrDA TX/RX header
***USB:** Four USB ports, two internal and two external
***Keyboard:** PS/2 6-pin Mini DIN
***Mouse:** PS/2 6-pin Mini DIN
***BIOS:** AMI PnP Flash BIOS
***CMOS:** Battery backup
***Temperature:** 0~+60°C (operating)
***Hardware Monitor:** VIA VT82C686B
***Dimensions:** 20.3(L) x 14.6(W) x 3.32(H) cm

■ Ordering Guide

HS-4650(8100B) 133MHz FSB Socket 370 SBC w/CRT/Panel, Audio, four LAN & 4C/485
HS-4650LLV(8100B) 133MHz FSB Socket 370 SBC w/CRT/Panel, Audio, Dual LAN & 4C/485
HS-4650(82559) 133MHz FSB Socket 370 SBC w/CRT/Panel, Audio, four LAN & 4C/485
HS-4650LLV(82559) 133MHz FSB Socket 370 SBC w/CRT/Panel, Audio, Dual LAN & 4C/485



BOSER Technology Co., Ltd.

15F-6, No. 77, Hsin Tai Wu Road, Sec. 1, Hsichih, Taipei Hsien 221 Taiwan TEL: 886-2-26983333 FAX: 886-2-26983300
<http://www.bosertech.com.tw> / <http://www.bosertech.com> E-mail: webmaster@bosertech.com / sales@bosertech.com

Shanghai/Beijing TEL: 021-63459295 63455296, 63456297 FAX: 021-63456286	U.S.A. Branch TEL: +1-408-737-9898 Toll Free: 800-500-4138 FAX: +1-408-737-9896	U.S.A. East Coast TEL: +1-781-937-9888 Toll Free: 800-886-2243 FAX: +1-781-937-0170	North America TEL: +1-603-866-3900 TEL: +49-221-954790 FAX: +49-221-9547988	Germany TEL: +49-221-954790 FAX: +49-221-9547988	Italy TEL: +39-051-452042 FAX: +39-051-455046	Korea TEL: +82-2-32823999 FAX: +82-2-32823992	Israel TEL: +972-9203456 FAX: +972-9203535	France TEL: +33-1-69061790 FAX: +33-1-69433732	Finland TEL: +358-2-6203753 FAX: +358-2-6203770	India TEL: +91-22-27890702 FAX: +91-22-27890702	South Africa TEL: +27-11-462-1320 FAX: +27-11-704-3421	Brazil TEL: +55-51-21283003 Toll Free: 800-704-4788 FAX: +55-51-21283017
--	--	--	--	--	---	---	--	--	---	---	--	---

