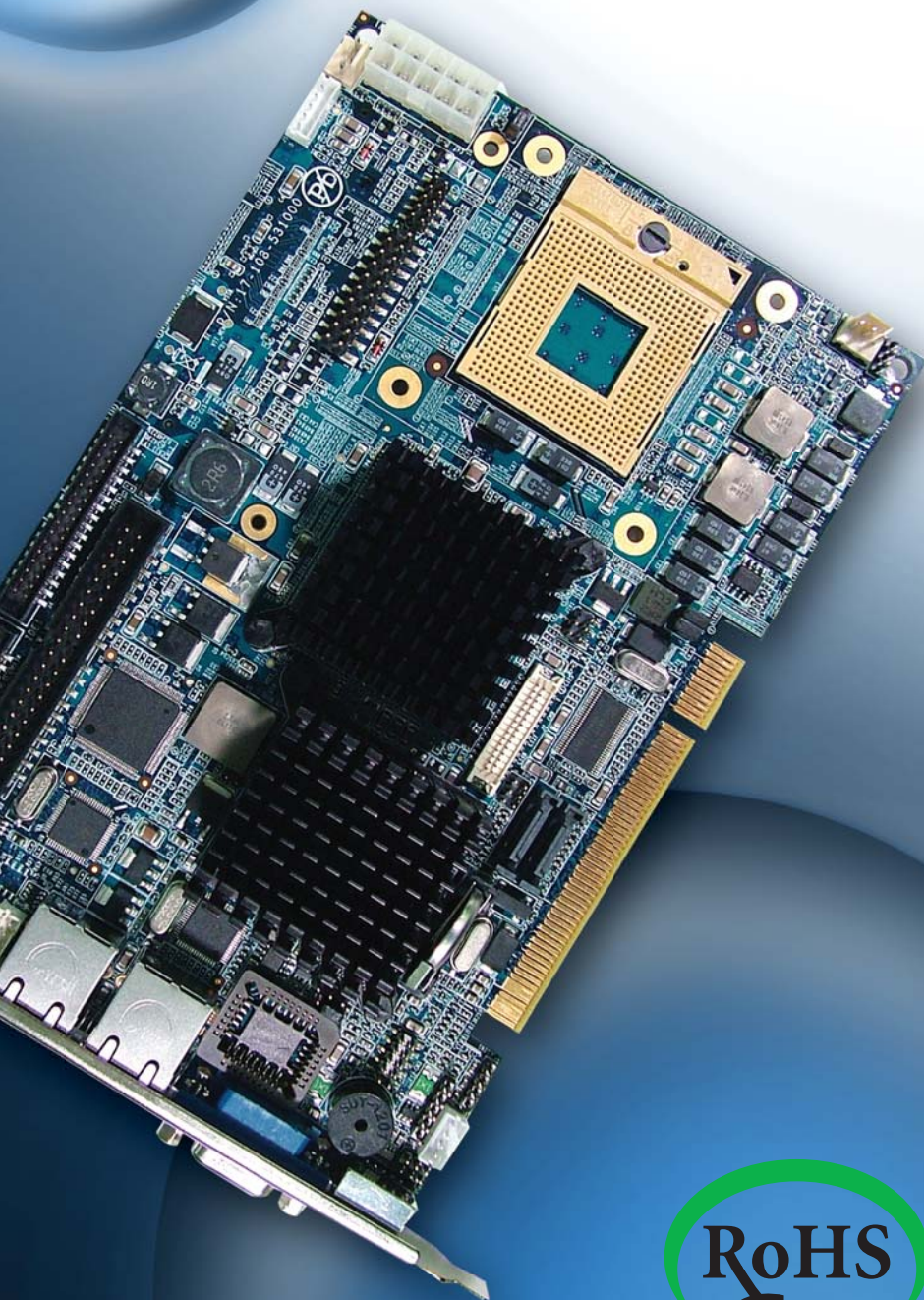


# SBC



## PCI-531LF

PCI Intel® Core Duo / Solo / Core 2 Duo / Duo LV CPU Card w / VGA / Audio / 2LAN

### Features :

- Supports Intel® Core Duo / Solo / Core 2 Duo / Duo LV onBoard Processor
- Equipped with Intel 945GME chipset
- Support two Gigabit LAN ports with Wake-on-LAN
- Support two SATA ports
- Expansion slots for 1 compact flash



**PROTECH SYSTEMS**

*It's the right choice*

No. 24, Lane 365, Yang Guang St., Nei Hu District, Taipei 114, Taiwan, R.O.C.

Tel: +886-2-8751-1111

Fax: +886-2-8751-1199

Email: [sales@protech.com.tw](mailto:sales@protech.com.tw)

<http://www.protech.com.tw>

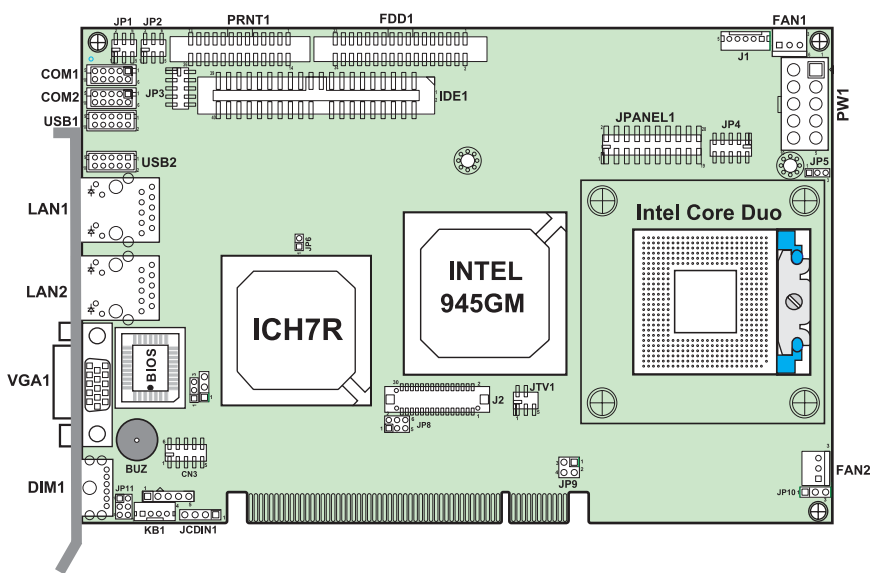


ISO CERTIFIED

9001 14001

# PCI-531LF

PCI Intel® Core Duo / Solo / Core 2 Duo / Duo LV CPU Card w / VGA / Audio / 2LAN



Specifications	
<b>System</b>	
<b>CPU Type</b>	Intel® Core Duo / Solo / Core 2 Duo / Duo LV Sock478-pin socket on board
<b>Chipset</b>	Intel® 945GM + ICH7R + FWH (FSB : 667MHz)
<b>DRAM</b>	200Pin DDRII.SO-DIMM x 1
<b>BIOS</b>	PhoenixAward PnP BIOS Memory size 4 Mbytes, with VGA BIOS
<b>Watchdog</b>	1~255 secs Watchdog timer selectable w / Reset / NMI
<b>Power Supply</b>	10-pin ATX connector on board, Support AT/ATX Power
<b>Dimension</b>	185mm x 122mm (7.28" x 4.8")

<b>USB</b>	4port, support USB 2.0
<b>LAN</b>	Dual Ports, Marvell 88E8052 x 2 Lan 1 / Lan 2 : Marvell 88E8052, 10/100/1000BaseT Ethernet, 2 ports with Bracket output Supports Wake-on-LAN(For ATX power)
<b>Audio</b>	AC '97 Codec, Realtek ALC655 With Line-in / Line-out / MIC

Display	
<b>Graphic</b>	Build-in 945GM, Support CRT, LVDS, TV
<b>LCD Interface</b>	18-bit LVDS

I/O Chipset	
<b>IDE Interface</b>	One IDE connector with 40-pin Boxheader (UDMA 100)
<b>SATA Port</b>	Two ports SATA support RAID 0,1,5,10 Build in South Bridge
<b>FDD Interface</b>	One FDD connector with 34-pin Boxheader on board
<b>Function BUS</b>	CF x 1 (2nd IDE)
<b>Serial Port</b>	2 port, 16550 UARTs RS-232, COM1 for RS-232, COM2 for RS-232/422/485
<b>IrDA</b>	One IrDA Port;FSupport v1.0 SIR protocol
<b>Keyboard</b>	PS/2 Connector, with mini DIN connector or external connector, Support Y-Cable
<b>Mouse</b>	PS/2 Connector, with mini DIN connecto

Environment	
<b>OperationTemp.</b>	0°~60°C(32°~140°F)
<b>Storage Temp.</b>	-40°~85°C(-40°~185°F)
<b>Humidity</b>	Operation humidity 20~90%, Storage humidity 20~90%

Ordering Information	
<b>PCI-531LF</b>	Half size card with Intel Core Duo CPU / VGA / AUDIO / LAN x 2 (1GMpbs)
<b>Certificate: CE, FCC CLASS A</b>	

All of trademarks and brand names are the property of their owners. Trademark "Protech" is the property of Protech Systems Co., Ltd. All information contained in this document is subject to change without any prior notice. This catalog is copyrighted in MAR. 2007.