



## Features

- Intel® Atom™ N2600; Intel® NM10
- Dual display output
- Supports DDR3 SODIMM; up to 2GB
- 1 2.5" SATA drive bay, 1 SD/MMC
- Supports mSATA via a mini PCIe slot
- 1 LAN, 1 DVI-I, 1 HDMI, 4 USB, 1 COM, HD Audio, 8-bit DIO



## System Specifications

### Processor System

- CPU
  - Intel® Atom™ N2600, 1.60GHz, 2x 512K L2, 3.5W TDP, dual-core
- Chipset
  - Intel® NM10 PCH

### Memory

- 2 DDR3 1066MHz SODIMM
- Supports up to 2GB memory
- Single channel memory interface

### Graphics

- Intel® GMA
- Supports Hardware H.264/MPEG-4 video decoder or AVC (Advanced Video Coding), 1080p decoder
- 1080p video playback capability
- DVI-I display resolution up to 1920x1200
- HDMI display resolution up to 1920x1200
- Dual display outputs
  - DVI-I + HDMI

### Storage

- HDD
  - 1 2.5" SATA drive bay
- SSD
  - 1 SD/MMC slot
  - Supports 1 mSATA module via a mini PCIe socket

### Ethernet

- Realtek® RTL8211DL Gigabit Ethernet controller

### Audio

- Realtek ALC262 High Definition Audio

### COM

- 1 5-pole RS232 COM terminal block

### Expansion

- 2 mini PCIe slots
  - One of the slots support mSATA module

### I/O Ports

- Front Panel
  - 1 9-pole terminal block for 8-bit DIO
  - 1 5-pole RS232 COM terminal block
  - 2 USB ports (Type A)
  - 1 SD/MMC slot
  - 1 Power LED
  - 1 HDD LED
- Rear Panel
  - 1 HDMI
  - 1 DVI-I
  - 1 Speaker-out
  - 1 LAN
  - 2 USB (Type A)
  - 1 Reset button
  - 1 Power button
  - 2 antenna holes
  - 12V DC-in

### Power

- Power input voltage
  - +12V DC

### Environment

- Temperature
  - Operating: 0°C ~ 40°C
  - Storage: -20°C ~ 70°C
- Humidity
  - Operating: 10% to 85% non-condensing
  - Storage: 10% to 90% non-condensing

### Construction

- Aluminum + SGCC

### Mounting

- Wall/VESA mounting kit (brackets and screws) - optional

### Dimensions

- 210mm x 35mm x 194.3mm (W x H x D)

### Weight

- TBD

### OS Support

- Windows 7, Windows 7 Embedded, Windows XP, Windows XP Embedded, Linux Kernel 2.6

### Other Features

- Watchdog Timer function

### Certification

- CE
- FCC Class B

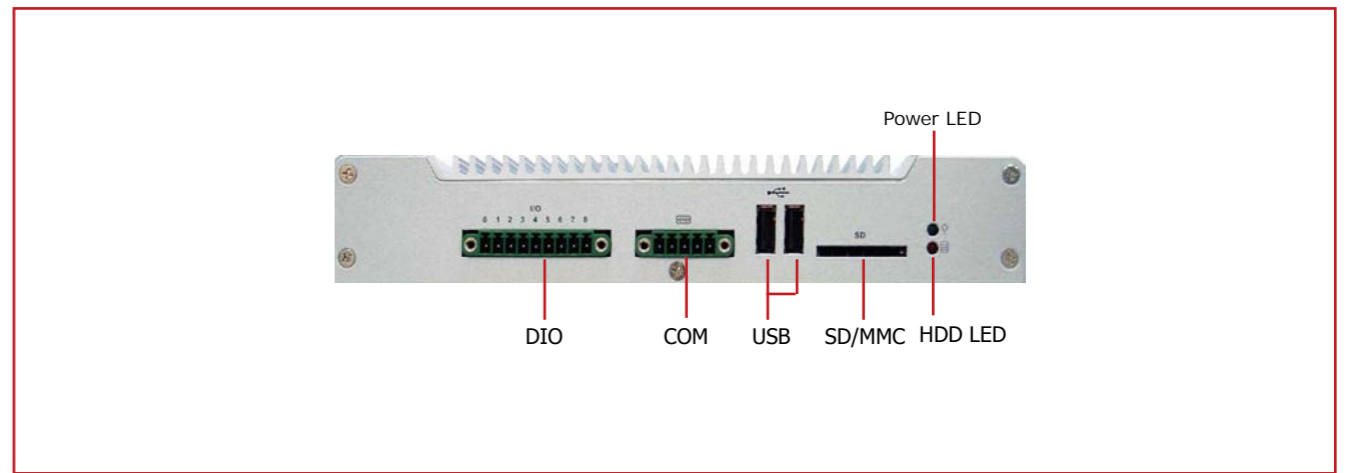
## Packing List

- 1 x DS910-CD system unit
- 1 x HDD drive bay kit
  - 2 x HDD brackets
  - 4 x bracket screws
  - 4 x HDD screws
  - 1 x SATA cable
  - 1 x SATA power cable
  - 4 x anti-shock bumpers
- 1 x 60W power adapter
  - AC input: 100-240V, 1.5A, 50-60Hz
  - DC output: 12V, 5A max (60W max)
- 1 x Quick Installation Guide
- 1 x CD disk includes:
  - Drivers / Manual

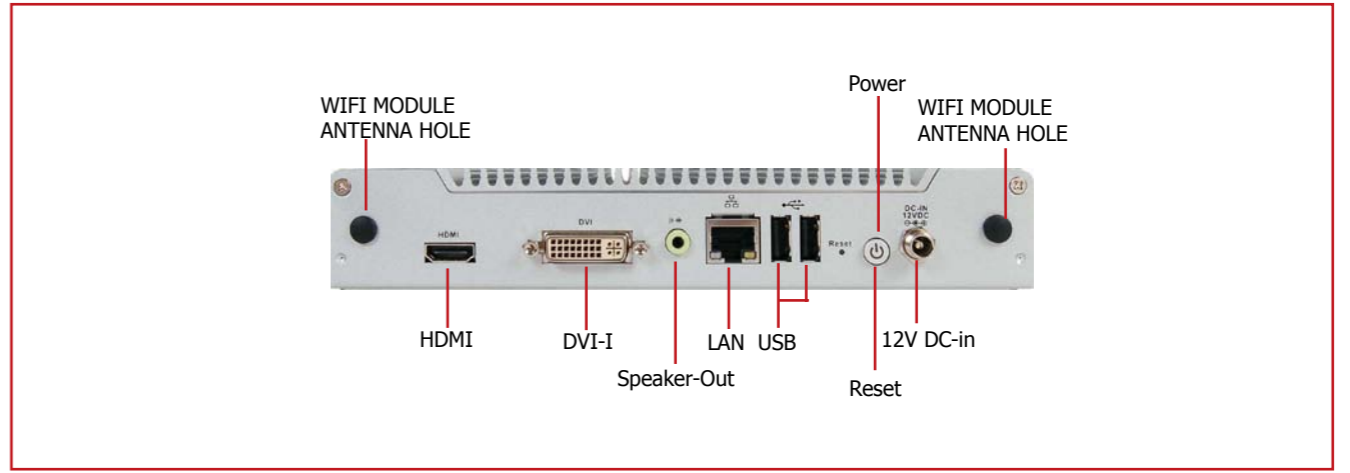
## Optional Items

- 1 x VESA mount kit
  - 1 VESA bracket
  - Bracket screws
- 1 x Wallmount kit
  - 2 wallmount brackets
  - Bracket screws
- 1 x power cord

## Front Panel



## Rear Panel



# DFI-ITOX<sup>®</sup>

## DS910-CD

### Dimensions

Specifications

