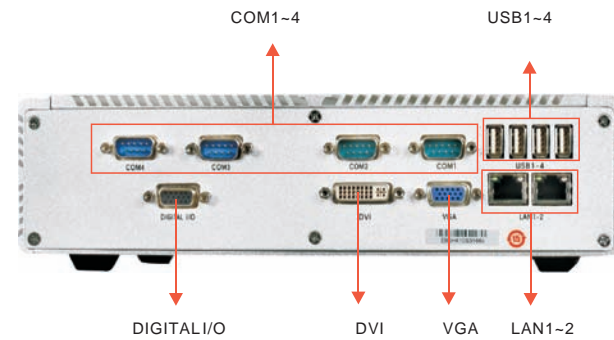
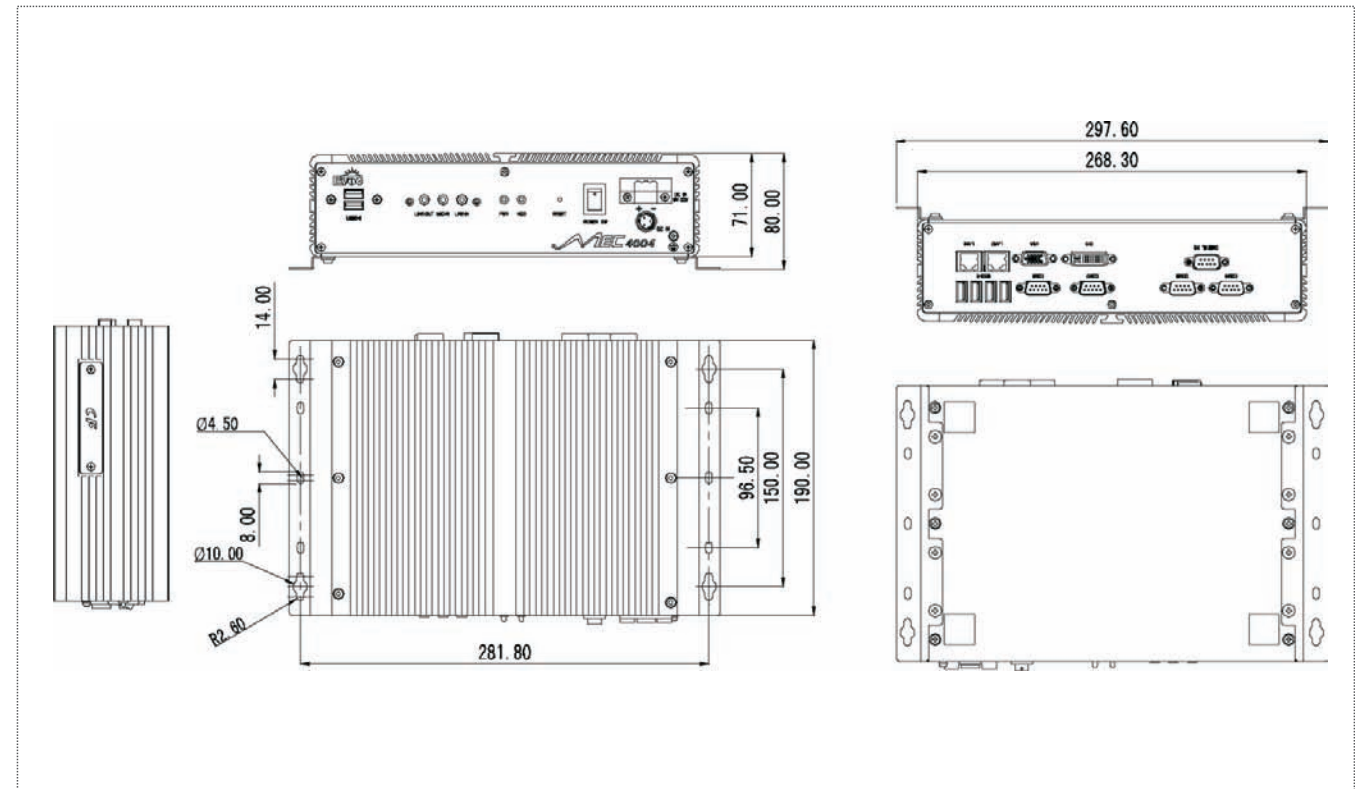


# MEC-4004-01

Low Power Consumption Fanless Embedded PC



## Dimensions



1  
PICMG

2  
SBC & SoM

3  
CompactPCI

4  
Network

5  
BoxPC & Special IPC

1  
PICMG

2  
SBC & SoM

3  
CompactPCI

4  
Network

5  
BoxPC & Special IPC



## Features

- Onboard Intel® Core™2 Duo U7500 (1.06G)
- 1 x 200-pin SODIMM, DDRII 533/667MHz up to 2GB
- Supports 1 x SATAHDD bay
- Supports 2 x 10/100/1000Mbps RJ45 port
- Supports 6 x USB 2.0, 4 x RS-232, 1 x VGA, 1 x DVI

## Specifications

System	
Processor	Onboard Intel® Core™2 Duo U7500 (1.06G)
Chipset	Intel® GLE960/GME965+HCH8-M
Memory	1 x 200-pin SO-DIMM, DDRII 533/667 up to 2GB
Expansion Interface	1 x PCI-104 interface
Storage	
IDE	N/A
Serial ATA	2 x Serial ATA150MB/S interface
Floppy	N/A
CF	1 x CompactFlash Socket Type I/II (optional)
DOC/DOM	N/A
I/O Interface	
USB	6 x USB2.0 port (2 x USB at the front panel, 4 x USB at the rear panel)
Serial Port	4 x RS-232 (2 x RS422/485)
Parallel Port	N/A
IrDA	N/A
GPIO	8 x digital I/O interface
Audio	Supports HD audio, with Speaker-out and Mic-in
Display	
Chipset	Intel® GLE960/GME965 integrated
Memory	256MB shared memory
Resolution	VGA mode up to 2048 x 1536@75Hz
Dual Display	Supports VGA + DVI independent dual display

Ethernet	
Chipset	2 x Realtek RTL8111C Ethernet controller
Speed	2 x 10/100/1000Mbps
Connector	2 x RJ 45
Mechanical and Environmental	
Dimensions	268.30mm (W) x 71mm (H) x 190mm (D)
Reliability	MTBF ≥ 50000h; MTTR ≤ 0.5h
Operating Temperature	-10°C~55°C
Storage Temperature	-20°C~70°C
Operating Humidity	20%~90%, 40°C non-condensing
Power	
Power Supply	Supports DC 6V~32V direct input or external 120W power adapter with input AC 100-240V 50/60Hz
Power Consumption	N/A
Operating System	
Windows OS	Windows 2000/ Windows XP
Embedded OS	Linux/XP Embedded/Window CE
Test	
Vibration	5-17Hz/1.0mm amplitude; 17-200Hz/ 1g acceleration
Shock	10g acceleration, 11ms duration
EMC/EMI	GB9254-1998 Class A

## Optional Accessories

Part Number	Name	Description	Qty.
1100-001750	Power adapter/FSP	FSP120-AAB/120W input small 3 Pin output connector DC 2.5x5.5x10/AC power cable	1
2192-005971	Driver CD/Protective film	MEC-4004/Long March series	1

## Ordering Information

Part Number	Model Number	Description
0010-016390	MEC-4004-01/1G/HDD/GLE960+U7500	Complete PC: U7500 1.06G/1G/160G HDD/EC4-1811LD2NA-U7500/120W/MEC-4004