

# Take Hold of the New Features Available with the Series B Human Interface Module

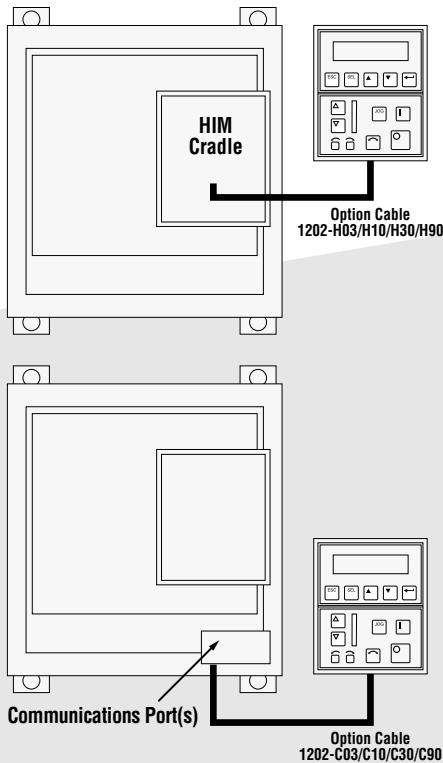


## New Features:

- **NEMA Type 12/UL Type 4X (Indoor) construction:** Available in both NEMA Type 1 (IP 30) and NEMA Type 12/UL Type 4X (Indoor) (IP 66) designs
- **Upload/download capability:** Resident memory allows for storage of up to two complete parameter profiles, saving time programming multiple drives
- **Search:** Allows user to search a parameter profile to determine which features are no longer at factory default values
- **Immediate fault display:** If a fault occurs, fault message appears regardless of what mode is in use
- **Bit ENUM's:** User can scroll through and view a test description of each bit in a binary parameter, without using a look-up table for identification
- **Changing digits of parameters and password:** Increment or decrement individual parameter digits to save programming time
- **Fault queue:** View the last four faults in the Control Status mode without going into the Program or Display mode
- **Saving menus for power-up:** Can be programmed to power up to a variety of process displays (i.e. RPM, Feet-per-minute, etc.)

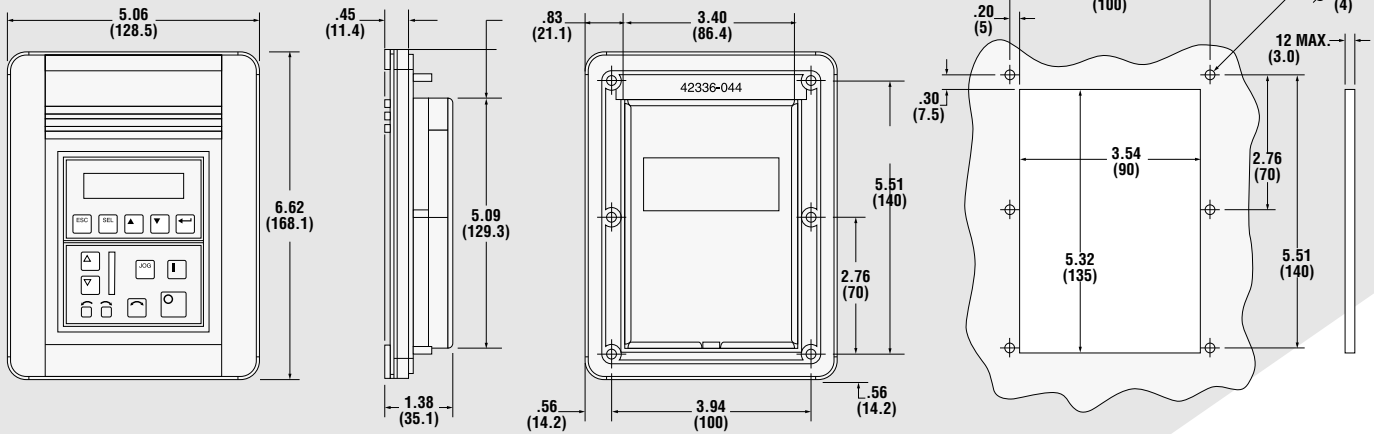
*The Series B HIM can be utilized with all SCANport™ products: 1305 Drive, 1336 PLUS Drive, 1336 FORCE™ Drive, SMP-3™ Overload Relay, SMC™ Dialog Plus Smart Motor Controller, 1394 Digital Motion Controller and 1557 Medium Voltage Drive.*

# Human Interface Module Kits (For Customer Installation)



Description	Used With...	Catalog Number (Loose Kit)
<b>NEMA Type 1 (IP 30)</b>  <b>Blank-No Functionality</b> <b>Programmer Only</b> <b>Programmer/Controller with Analog Pot</b> <b>Programmer/Controller with Digital Up-Down Speed Control</b>	<b>All Open Chassis and NEMA Type 1 Drive Ratings</b>	<b>1201-HAB</b> <b>1201-HAP</b> <b>1201-HA1</b> <b>1201-HA2</b>
<b>NEMA Type 12/UL Type 4X (Indoor) (IP 66)</b>  <b>Programmer Only</b> <b>Programmer/Controller with Digital Up-Down Speed Control</b>	<b>All NEMA Type 12 and IP 65 Drive Ratings</b>	<b>1201-HJP*</b> <b>1201-HJ2*</b>
<b>Option Cable Kits</b>  <b>(Connect to H.I.M. Cradle Port)</b> <b>One/Third Meter Length</b> <b>One Meter Length</b> <b>Three Meter Length</b> <b>Nine Meter Length</b>  <b>(Connect to Communication Port)</b> <b>One/Third Meter Length</b> <b>One Meter Length</b> <b>Three Meter Length</b> <b>Nine Meter Length</b>	<b>All Human Interface Modules Not Mounted on the Drive Chassis</b>	<b>1202-H03</b> <b>1202-H10</b> <b>1202-H30</b> <b>1202-H90</b>  <b>1202-C03</b> <b>1202-C10</b> <b>1202-C30</b> <b>1202-C90</b>
<b>Door Mount Bezel Kit, NEMA Type 1</b>	<b>Customer Supplied NEMA Type 1 Enclosures</b>	<b>1201-DMA</b>

\* Requires an Option Cable to be functional



Allen-Bradley, 1336 FORCE, SMP-3, SCANport and SMC are trademarks of the Allen-Bradley Co., Inc.



Allen-Bradley, a Rockwell Automation Business, has been helping its customers improve productivity and quality for more than 90 years. We design, manufacture and support a broad range of automation products worldwide. They include logic processors, power and motion control devices, operator interfaces, sensors and a variety of software. Rockwell is one of the world's leading technology companies.

## Worldwide representation.

Argentina • Australia • Austria • Bahrain • Belgium • Brazil • Bulgaria • Canada • Chile • China, PRC • Colombia • Costa Rica • Croatia • Cyprus • Czech Republic • Denmark • Ecuador • Egypt • El Salvador • Finland • France • Germany • Greece • Guatemala • Honduras • Hong Kong • Hungary • Iceland • India • Indonesia • Ireland • Israel • Italy • Jamaica • Japan • Jordan • Korea • Kuwait • Lebanon • Malaysia • Mexico • Netherlands • New Zealand • Norway • Pakistan • Peru • Philippines • Poland • Portugal • Puerto Rico • Qatar • Romania • Russia-CIS • Saudi Arabia • Singapore • Slovakia • Slovenia • South Africa, Republic • Spain • Sweden • Switzerland • Taiwan • Thailand • Turkey • United Arab Emirates • United Kingdom • United States • Uruguay • Venezuela



Allen-Bradley Headquarters, 1201 South Second Street, Milwaukee, WI 53204 USA, Tel: (1) 414 382-2000 Fax: (1) 414 382-4444

Publication 1201-1.1 – February 1996  
Supersedes October, 1995

© 1995 Allen-Bradley Co. Printed in USA