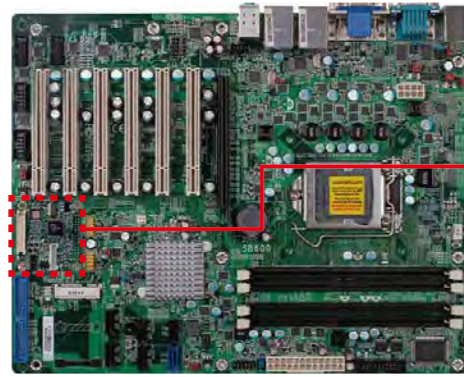


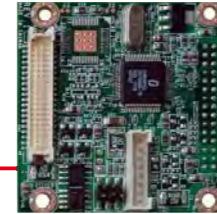
SB600-C+ SDVO-LVDS



## Features

- CHIPSET** Intel® B65 PCH
- CPU** Intel® Core™ i7/i5/i3  
Intel® Pentium®
- MEMORY** 4 DDR3 DIMM up to 32GB
- EXPANSION** 1 PCIe x16, 1 Mini PCIe x1, 6 PCI
- DISPLAY OUTPUTS** 1 DVI-I (DVI-D signal), 1 VGA
- LAN** 2 Gigabit LAN
- COM** 6 COM
- USB** 10 USB 2.0
- SATA** 6 SATA (1 SATA 3.0 and 5 SATA 2.0)
- DIO** 8-bit DIO

### SDVO-LVDS Daughterboard (optional)



Top



Bottom

- I/O PORTS**
  - Chrontel CH7308B
  - Supports 18/24-bit 1600x1200 LVDS panel
  - 1 LVDS LCD panel connector
  - 1 LCD/Inverter power connector
  - SDVO interface
  - Supports dimming control via hot keys

- DIMENSIONS**
  - 45mm (1.77") x 38mm (1.49")

## Specifications

### PROCESSOR

- LGA 1155 socket for:
  - Intel® Core™ i7-2600 (3.4GHz, 95W)
  - Intel® Core™ i5-2400 (3.1GHz, 95W)
  - Intel® Core™ i3-2120 (3.3GHz, 65W)
  - Intel® Pentium® G850
- New microarchitecture on 32nm process technology
- Intel® Advanced Vector Extensions (Intel® AVX) Instructions
- Intel® Turbo Boost Technology

### CHIPSET

- Intel® B65 PCH (Platform Controller Hub)

### SYSTEM MEMORY

- Four 240-pin DDR3 DIMM sockets
- Supports DDR3 1066/1333MHz
- Supports dual channel memory interface
- Supports up to 32GB system memory
- DRAM device technologies: 1Gb, 2Gb and 4Gb DDR3 DRAM technologies are supported for x8 and x16 devices, unbuffered, non-ECC

### EXPANSION SLOTS

- 1 PCIe x16 slot (PCIe 2.0)
- 1 Mini PCIe x1 slot (PCIe 2.0)
- 6 PCI slots (PCI 2.3)

### ONBOARD GRAPHICS FEATURES

- Intel® HD Graphics
- Display ports: DVI-I (DVI-D signal) and VGA
- DVI-I supports up to 1920x1200 @ 60Hz resolution
- VGA supports up to 2048x1536 @ 75Hz resolution
- Supports 6 Graphics Execution Units (EUs)
- Intel® Clear Video Technology
- DirectX Video Acceleration (DXVA) support for accelerating video processing

### ONBOARD AUDIO FEATURES

- Realtek ALC886 5.1-channel High Definition Audio
- Audio outputs: Mic-in/Center+Subwoofer, line-in/surround and line out
- S/PDIF audio interface

### ONBOARD LAN FEATURES

- 2 Realtek RTL8111DL PCI Express Gigabit Ethernet controllers
- Integrated 10/100/1000 transceiver
- Fully compliant with IEEE 802.3, IEEE 802.3u, IEEE 802.3ab
- Supports wire management

### SERIAL ATA (SATA) INTERFACE

- 6 Serial ATA ports
  - 5 SATA 2.0 ports with data transfer rate up to 3Gb/s
  - 1 SATA 3.0 port with data transfer rate up to 6Gb/s
- Integrated Advanced Host Controller Interface (AHCI) controller

### TRUSTED PLATFORM MODULE (TPM) - optional

- Provides a Trusted PC for secure transactions
- Provides software license protection, enforcement and password protection

### BIOS

- AMI BIOS
- 64Mbit SPI BIOS

### REAR PANEL I/O PORTS

- 1 mini-DIN-6 port for PS/2 mouse/keyboard
- 2 DB-9 serial ports
  - Supports RS232/422/485 (RS232 and/or Power)
- 1 DB-15 VGA port
- 1 DVI-I port (DVI-D signal)
- 2 RJ45 LAN ports
- 6 USB 2.0/1.1 ports
- Line-in/Surround, Line out, Mic-in/Center+Subwoofer jacks

### I/O CONNECTORS

- 2 connectors for 4 external USB 2.0/1.1 ports
- 4 connectors for 4 external RS232 serial ports
- 1 SDVO connector for the optional SDVO-LVDS daughterboard
- 1 8-bit Digital I/O connector
- 1 front audio connector for line-out and mic-in jacks
- 1 CD-in connector
- 1 S/PDIF connector
- 6 Serial ATA ports
- 1 IDE connector
- 1 24-pin ATX power connector
- 1 8-pin 12V power connector
- 1 chassis intrusion connector
- 1 front panel connector
- 3 fan connectors

### ENERGY EFFICIENT DESIGN

- Supports ErP Lot6 power saving (optional)
- Supports ACPI
- System Power Management
- Wake-On-Events include:
  - Wake-On-PS/2 KB/Mouse
  - Wake-On-USB KB/Mouse
  - Wake-On-LAN
  - RTC timer to power-on the system
- CPU stopped clock control
- AC power failure recovery

### DAMAGE FREE INTELLIGENCE

- Monitors CPU/system temperature and overheat alarm
- Monitors Vcore/5V/3.3V/V\_DIMM/12V/5VSB voltages and failure alarm
- Monitors CPU/system fan speed and failure alarm
- Read back capability that displays temperature, voltage and fan speed
- Watchdog timer function

### TEMPERATURE

- Operating: 0°C to 60°C
- Storage: -20°C to 85°C

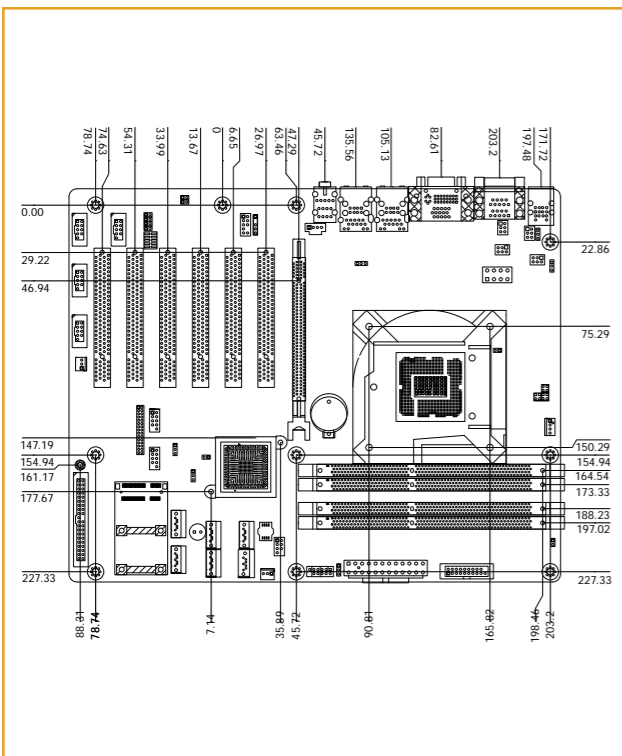
### HUMIDITY

- 10% to 90%

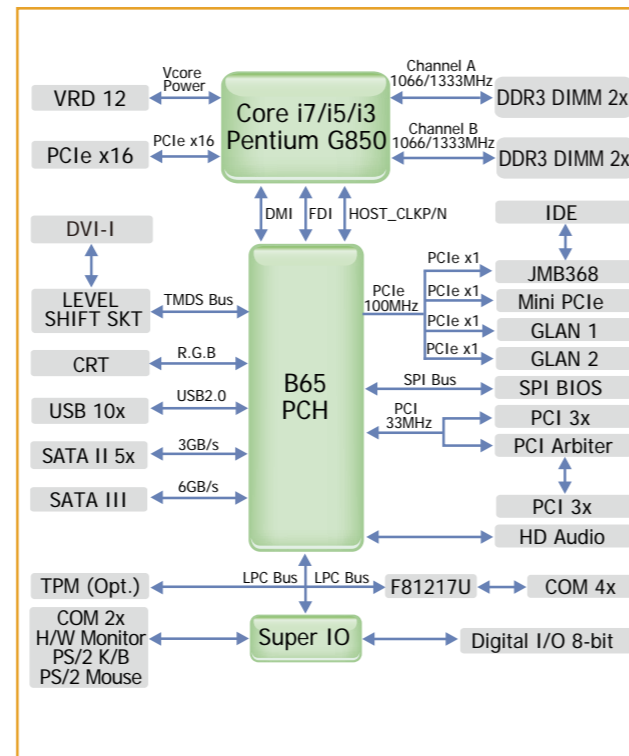
### DIMENSIONS

- ATX form factor
- 305mm (12") x 244mm (9.6")

## Mechanical Drawing



## Block Diagram



## Packing List

- 1 SB600-C motherboard
- 2 Serial ATA data cables
- 2 USB port cables (with bracket)
- 2 COM port cables (with bracket)
- 1 IDE cable
- 1 I/O shield
- 1 DVD
- 1 QR (Quick Reference)

## Optional Items

- SDVO-LVDS daughterboard
- USB port cable
- COM port cable
- Serial ATA data cable
- Serial ATA power cable
- PS/2 Keyboard/Mouse cable