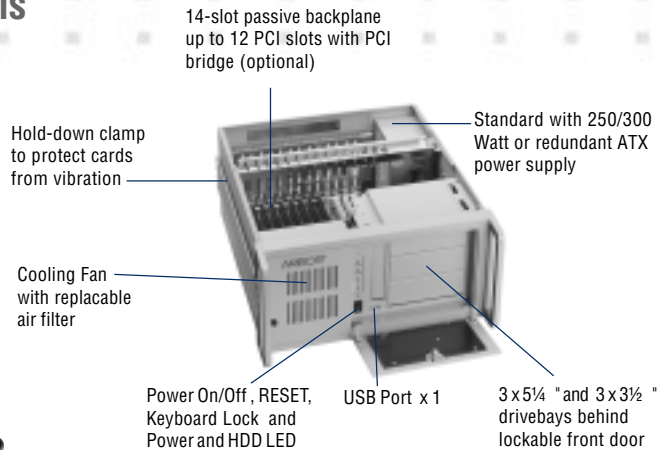


IEC-822

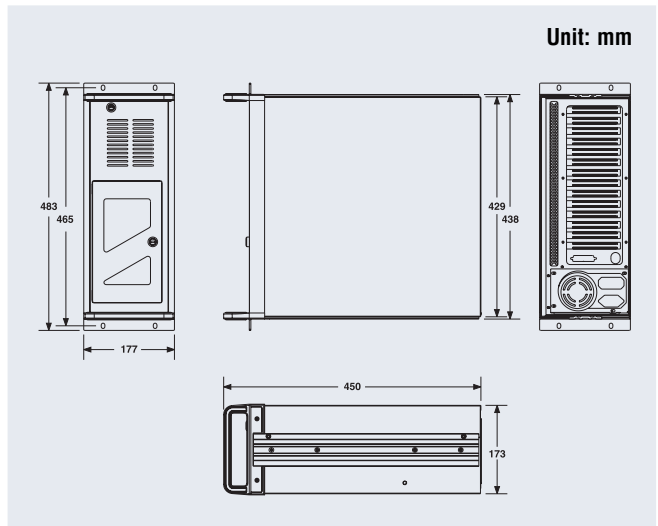
19" 4U Cost-Effective Rackmount Chassis



Specifications

- **Construction:** Heavy-duty steel chassis
- **Color:** Beige
- **ATX motherboard version is available**
- **Disk Drive Bay:**
 - 5.25" Drives: 3 (Front Accessible)
 - 3.5" Drives: 3 (One accessible from front)
- One 12cm/85CFM cooling fan w/removable filter from front panel
- **Controls on Front Panel:** Power On/Off, RESET button, Keyboard Lock switch
- **Indicators on Front Panel:** Power On, HDD activity
- **Keyboard connector:** PS/2 type DIN connector on front panel
- **Speaker:** 1 x 8-ohm speaker mounted on fan housing
- **EMI:** FCC/VDE Class A, CE
- **Supports 250W PS/2 AT/ATX power supply**
- **Operating Humidity:** 0~45°C (0~75°C non-operating)
- **Relative Humidity:** 10 to 95%, @25°C, non-condensing
- **Dimension (W x H x D):** 483 x 177 x 450 mm (19" x 7" x 17.7")
- **Carton Dimension (W x H x D):** 545 x 620 x 300 mm (21.5" x 24.4" x 11.8")
- **Net Weight:** 12.8 kg (28.2 lb)
- **Gross Weight:** 15 kg (33 lb)
- USB Port x 1

Dimension Diagram



Backplanes

Model Name	System	Amount of Slots
PBI-14SA	Single	14 ISA
PBPI-14SA	Single	8 ISA / 2 PICMG / 4 PCI
PBPX-14P7	Single	5 ISA / 2 PICMG / 7 PCI
PBPI-14S2	Mirrored	8 ISA / 2 PICMG / 4 PCI
PBPX-14P12	Single	1 ISA / 2 PICMG / 12 PCI
PBPX-14P12-64	Single	2 ISA / 2 PICMG / 12 PCI(64-Bit)

Power Supplies

Model Name	Watt	Input Range	Output Voltage	Min. load
PS-ZKS-250WX-B	250W (ATX)	90-135V AC	+5V@25A	+5V@3A
		180-260V AC	+12V@10A	+12V@8A
		47-63Hz	-5V@0.5A	-12V@1A
IPS-ZKS-300WX	300W (ATX)	90-135V AC	+5V@30A	+5V@3A
		180-260V AC	+12V@12A	+12V@8A
		47-63Hz	-5V@0.5A	-12V@1A

Ordering Information

- IEC-822A**
19" 4U Rackmount Chassis for ATX motherboard
- IEC-822A-AX250**
19" 4U Rackmount Chassis with 250W PS2 ATX Power Supply, without motherboard
- IEC-822A-AX300**
19" 4U Rackmount Chassis with 300W PS2 ATX Power Supply, without motherboard
- IEC-822B-C14A-AX250**
19" 4U Rackmount Chassis with 8 ISA/2 PICMG/4 PCI Backplane, 250W PS2 ATX Power Supply
- IEC-822B-C14A-AX300**
19" 4U Rackmount Chassis with 8 ISA/2 PICMG/4 PCI Backplane, 300W PS2 ATX Power Supply
- IEC-822B-C14P7-AX300**
19" 4U Rackmount Chassis with 5 ISA/2 PICMG/7 PCI Backplane, 300W PS2 ATX Power Supply