



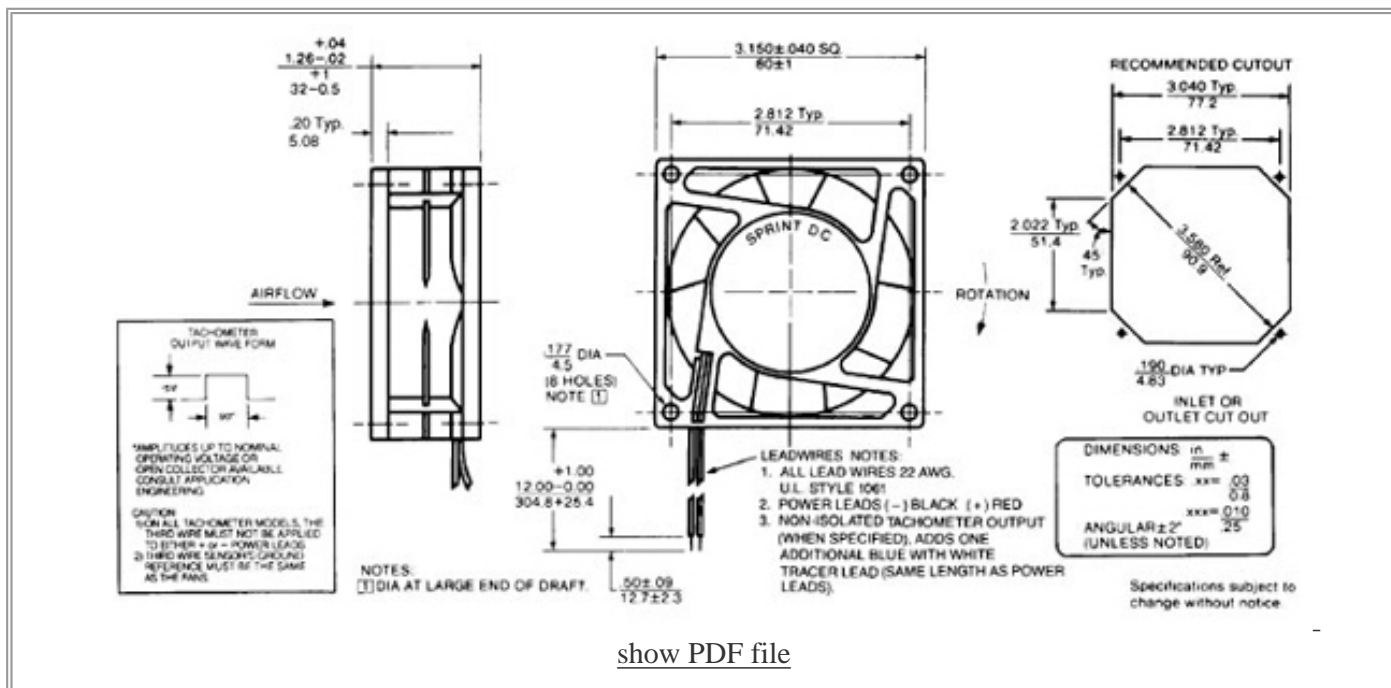
## Sprint (DC Fan)

COMAIR ROTRON PART NUMBER: **030614**  
 COMAIR ROTRON MODEL NUMBER: **ST24K3**



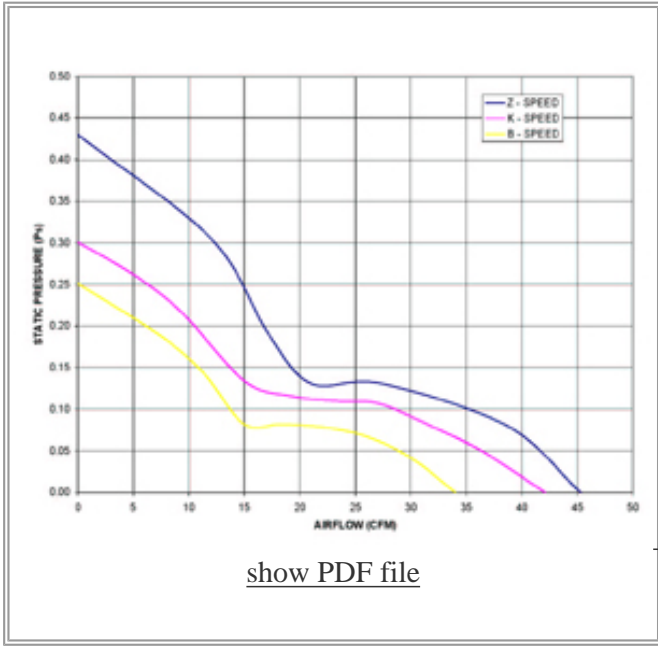
MOTOR	
Rated Voltage:	24
Operating Voltage Range:	12 - 28
Running Current: 50Hz   60Hz (amps)	
Locked Rotor Current: (amps)	0.65
Rated Power: 50Hz   60Hz (watts)	
Nominal Speed: 50Hz   60Hz (rpm)	

MECHANICAL	
Dimensions:	80mm x 32mm (3.15in x 1.25in)
Bearing Type:	Ball
Motor Base:	Polycarbonate
Propeller:	Polypropylene







[show PDF file](#)

### NOTES



PERFORMANCE CHARACTERISTICS	
Air Flow: (CFM)	40
Static Pressure:	.301

TERMINATION	
Leadwires:	12" Leadwires

SAFETY			
			

All product names are used under license and are trademarks or registered trademarks of Comair Rotron, Inc.

[New Search](#)