

ARK-6310-3M04E

Fanless Mini-ITX Embedded Computer System with ATOM Solution



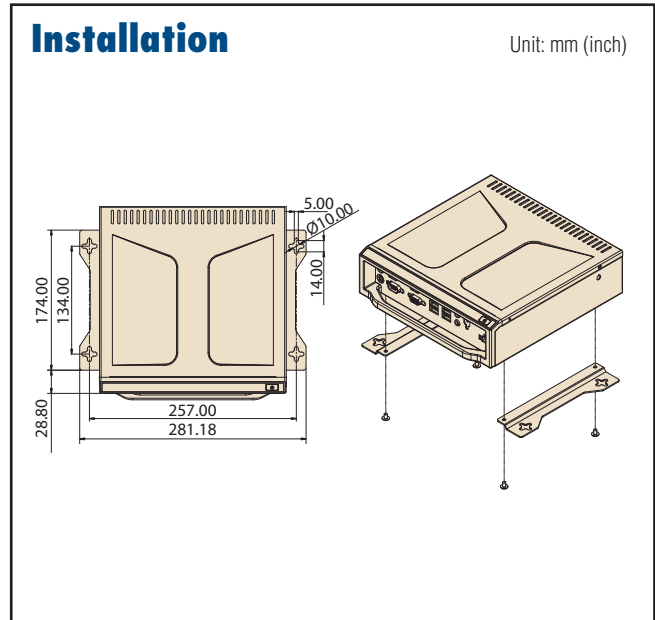
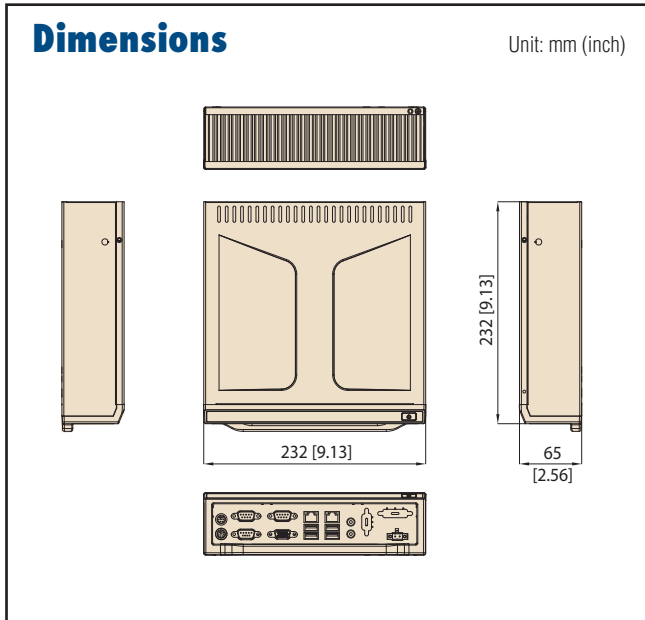
Features

- Built-in Intel® Atom™ Processor N270 1.60 GHz
- Comprehensive I/O of Dual Gigabit Ethernet, 4 USB, 3 COM ports, 1 VGA, and audio port
- Wide range of DC input voltage supported: 14 ~ 24 V_{DC}
- Fanless, ultra compact and robust construction, ruggedized handle for mobility
- Anti-vibration cushion design to one 2.5" HDD-bay to ensure maximum reliability
- Bottom access cover design give easy maintenances to Compact Flash socket
- Built-in mounting bracket support wall-mount and table-mount, optional support of VESA mounting bracket
- Optional WLAN 802.11b/g module



Specifications

Processor System	CPU	Intel Atom Processor N270 1.60 GHz
	Front Side Bus	533 MHz
	L2 Cache	512 KB
	Chipset	Intel 945GSE + ICH7M
	BIOS	AWARD 16 Mbit, SPI
Memory	Technology	Single Channel DDR2 533 SDRAM
	Max. Capacity	200-pin SODIMM x1 up to 2 GHz
Graphics	Chipset	Intel 945GSE GMCH integrated Graphic Media Accelerator 950
	Display Memory	Shared system memory up to 224 MB SDRAM
	LVDS	Single channel 18-bit/Dual channel 36-bit LVDS
	DVI	None
	Dual Display	VGA, LVDS
Ethernet	Interface	10/100/1000 Mbps
	Controller	Dual Realtek RTL8111C Gigabit LAN
	Connector	2 x RJ-45 connectors
Watchdog Timer	Output	System reset
	Interval	Programmable 1~255 sec.
Storage Interface	2.5" HDD Bay	1
	Compact Flash	1 x Type 1/II Socket (on the solder side of the motherboard)
I/O Interface	USB	4
	PS/2	2
	COM	3
	RJ-45	2
	Audio	2 (Mic-In, Line-Out)
	VGA	1
	Extra I/O cutouts	1 x LVDS, 1 x COM
Miscellaneous	Overheating Protection	System Shut-down when Overheated
	LED Indicators	3 x LED of Power, HDD and Temperature
	Control	1 x ATX Power On/Off switch button
Software Compatibility	Operating System	Microsoft Widows 2000, Windows XP and Windows XP Embedded
Power Supply	Output Rating	75W
	Input Voltage	14 V _{DC} ~ 24 V _{DC} @ 6.4 A ~ 3.75 A (Max.); 19 V _{DC} @ 4.74 A (Max.)
	Output Voltage	+5 V with 5 VSB @ 6 A (+5 VSB @ 2A Max.); +3.3 V @ 5 A; +12 V @ 2 A, -12 V @ 0.3 A; -5 V @ 0.3 A
Environment	Operating Temp.	0 ~ 40° C (32 ~ 104° F)
	Operating Humidity	10 ~ 85% @ 40° C, non-condensing
	Vibration Loading Duration Vibration	1 Grms, IEC 60068-2-64, random, 5 ~ 500 Hz, 1 Oct./min, 1 hr/axis
	Altitude	0 to 3,048 m (0 ~ 10,000 ft)
Physical Characteristics	Dimensions (W x H x D)	232 x 65 x 232 mm (9.1" x 2.6" x 9.1")
	Net Weight	2.74 Kg (6.03 lb)



System Ordering Information

Part Number	CPU	VGA	G-LAN	*USB 2.0	COM	Audio	KB/MS
ARK-6310-3M04E	Intel ATOM N270 1.6 GHz	1	2	4 ~ 8	3 ~ 4	Yes	Yes

Note: Packing accessory kit is included, and its serial cable supports up to 4 COMs
 * Supports up to 8 USB ports via optional cable kit (P/N: 9652631001)

Optional Accessories

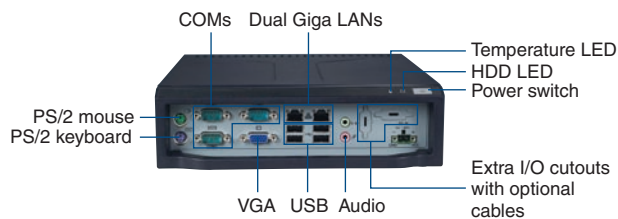
External AC-to-DC Adapter and Power Cable

Part Number	Description
1757000222	AC-to-DC adapter, DC 19 V/65 W with Phoenix power plug
1757001377	AC-to-DC adapter, DC 19 V/90 W with Phoenix power plug
1700001947	Power Cable 2-pin 180 cm, USA type
1700001948	Power Cable 2-pin 180 cm, Europe type
1700001949	Power Cable 2-pin 180 cm, UK type
1700002141	Power Cable 2-pin 180 cm, Japan type

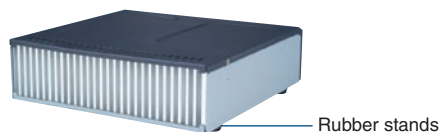
Accessories

Part Number	Description
989K008732	VESA Mounting Plate for ARK-6620/6310
ARK-WLAN-USBE	ARK-6 series Wireless LAN 802.11 b/g module
9652631001	4 USB cable kit for ARK-6310

Front View



Rear View



Inside View

