

UC-7400 Series

RISC-based Universal Communicator with 8 Serial Ports/ Dual Ethernet/PCMCIA/CompactFlash

Features

- Intel Xscale IXP-422 266 MHz Processor
- On-board 128 MB RAM, 32 MB Flash Disk
- Eight RS-232/422/485 serial ports
- Dual 10/100 Mbps Ethernet
- Optional PCMCIA/CompactFlash/Wireless LAN expansion
- LCM display and keypad for HMI
- Linux-Ready communication platform
- DIN-Rail or Wall Mount installation
- Robust Fanless design

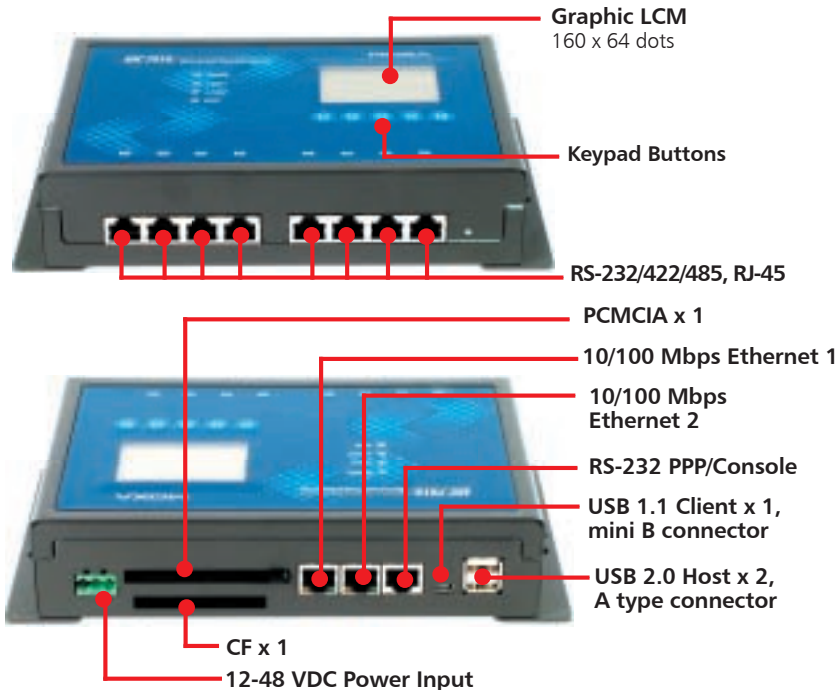


Overview

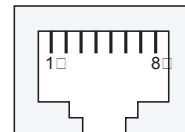
UC-7400 Series products are RISC-based communication platforms for your embedded applications. The UC-7400 Series features eight RS-232/422/485 serial ports, dual 10/100 Mbps Ethernet, PCMCIA, CompactFlash interface for flash disk, and Wireless communication expansion.

The pre-installed Linux OS provides an open software operation system for your software program development. This means that the software written for a desktop PC can be easily ported to the UC-7400 platform by using a GNU cross compiler without software code modification.

UC-7420 Universal Communicator

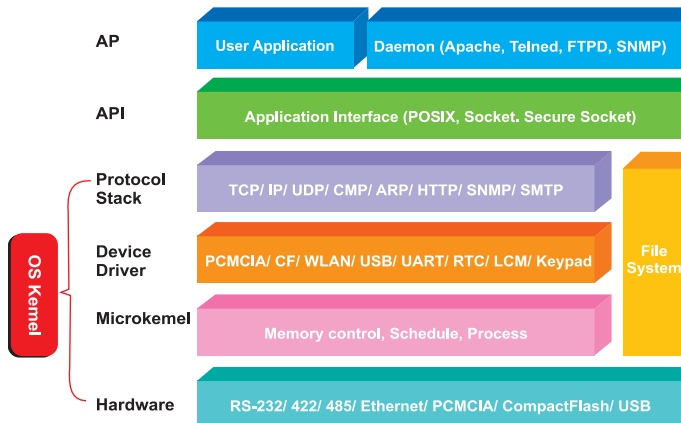


PIN Assignment

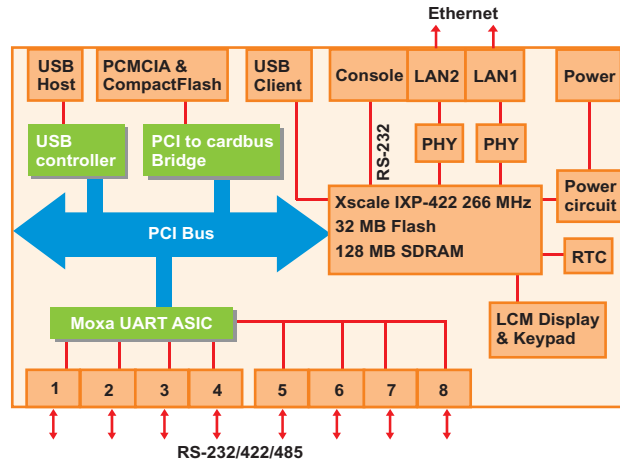


PIN	RS-232	RS-422	RS-485
1	DSR	---	---
2	RTS	TxD+	---
3	GND	GND	GND
4	TxD	TxD-	---
5	RxD	RxD+	Data+
6	DCD	RxD-	Data-
7	CTS	---	---
8	DTR	---	---

S/W Block Diagram



H/W Block Diagram



Hardware Specifications

CPU: IXP-422 266 MHz

DRAM: 128 MB

Flash: 32 MB

Serial Port: Eight RS-232/422/485 ports

Data bits: 5, 6, 7, 8

Stop bits: 1, 1.5, 2

Parity: None, Even, Odd, Space, Mark

Speed: 50 bps to 230.4 Kbps

Serial PPP: RS-232 x 1, RJ45

LAN: 10/100M x 2

PCMCIA: cardbus card and 16-bit PCMCIA 2.1/ JEIDA 4.2 card (UC-7420 only)

CompactFlash: CF x 1 with full function

LCM: 160 x 64 Graphic Mode

LED: Tx/Rx x 8, Console x 1, Ready x 1, LAN 10/100 x 2

Keypad: 5 buttons

Power Input: 12-48V

Dimensions: 197 x 125 x 44 mm

Operating Temperature: -20 to 60°C (-4 to 140°F)

Storage Temperature: -20 to 80°C (-4 to 176°F)

Regulatory Approvals: CE, FCC Class A, TÜV, UL

Software Package

Boot Loader: Redboot (V1.92)

Protocol Stack: TCP, UDP, IPv4, FTP, SNMP V1/V3, ICMP, ARP, HTTP, PPP, CHAP, PAP, SSH 1.0/ 2.0, SSL

File System

Ext2 File System: On-board Flash

FAT File System: Supports CompactFlash card

Bash (v2.05): OS shell command

pppd: dial in/out over serial port daemon

snmpd (Distributed 20030522): snmpd agent daemon

busybox (V0.60.4): Linux normal command utility collect

tinylogin (V0.80): login and user manager utility

telnetd (V5.48): Telnet server daemon

telnet (V8.2): Telnet Client program

inetd (Distributed 20030522): TCP server manager program

ftpd (V8.5): FTP server daemon

ftp (V0.16): FTP client program

apache (V0.93.15): Web server daemon

sshd (V1.260): A secure shell server

Tool Chain

Gcc (V2.95.3): C/C++ PC Cross Compiler

GDB (V5.3): Source Level Debug Server

Glibc (V2.2.5): POSIX standard

Device Drivers: PCMCIA & Card Bus, CF Card, Wireless Card Bus, UART, RTC, LCM Keypad

Ordering information

UC-7410-LX

RISC-based Universal Communicator with 8 Serial Ports, Dual Ethernet, Linux OS

UC-7420-LX

RISC-based Universal Communicator with 8 Serial Ports, Dual Ethernet, USB, PCMCIA, CompactFlash, Linux OS

MOXA

Moxa Technologies, Co., Ltd.

F4, No.135, Lane 235, Pao-Chiao Rd., Shing-Tien City, Taipei, Taiwan

Tel: +886-2-8919-1230

Fax: +886-2-8919-1231

www.moxa.com

info@moxa.com.tw